

Hybridryer[®]

HBD - SERIES

BENEFITS AND FEATURES

- Volume flows of 1,200 to 9,000 m³/h
- Low operating expenses in comparison with heat regeneration desiccant dryers
- Compact, complete operational unit
- Highest energy efficiency at low pressure dew points
- Constant pressure dew point
- Generously dimensioned components guarantee low differential pressure
- Selectable summer/winter operation (+3°C / -40°C)
- Efficient finest oil filtration at the coldest point
- Extended lifetime of the absorbent through extremely low regeneration temperatures



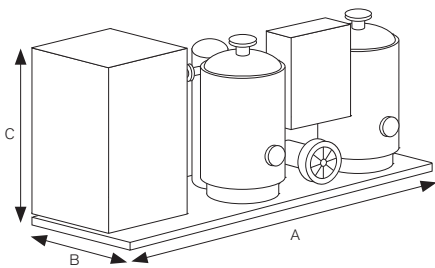
Technical Data	1200 - 4000	5000 - 9000
Refrigeration dryer		
Heat exchanger	Stainless steel (copper welded)	
Air cooling	●	
Water cooling	○	
Condensate separating system		
Condensate drain	Elektronic, level-controlled	
Integrated filtration at coldest point	●	
Insulation of all cold parts	●	
Bypass: insulated with valve	●	
Digital-Scroll compressor	●	
Cylinder cut-off	–	●
Potential free alarm contact	●	
Desiccant dryer		
Desiccant	Activated Alumina	
Regeneration system	External heat regeneration system	
Pressure dew point control	●	
Insulation of vessels, warm and cold parts	●	
Dust filter at dryer inlet	●	
Potential free alarm contact	●	
Automatic summer/winter operation	○	

General Data	
Medium	Compressed air
Housing	Refrigeration dryer
Colour	RAL 5015 (blue)
Location	Indoors

● standard ○ On request – not applicable

Model	Flow Rate*	Connection (Flange)	Dimensions			Weight	el. Connection	Power Consumption				
			A	B	C			air-cooled		water-cooled		
								summer	winter	summer	winter	
	m ³ /h		mm			kg	V/Ph/Hz	kW				
HBD 1200	1,200	DN 80	4,278	1,540	2,219	2,500	400/3/50 (option: 500/3/50)	2.4	5.1	1.9	4.6	
HBD 1500	1,500	DN 100						3.4	6.8	2.8	6.2	
HBD 2000	2,000	DN 150						4.9	9.3	4.3	8.7	
HBD 2500	2,500		6.1	11.4	5.3	10.5						
HBD 3000	3,000		7.2	13.9	6.5	13.2						
HBD 4000	4,000		9.9	18.4	8.3	16.7						
HBD 5000	5,000	DN 150	5,144	3,236	2,402	5,500	400/3/50 (option: 500/3/50)	11.1	20.8	10.0	19.7	
HBD 6000	6,000		5,159	3,254				6,250	12.8	24.4	11.7	23.3
HBD 7000	7,000	DN 200	5,479	3,555				7,300	13.7	27.0	12.6	25.9
HBD 8000	8,000		5,497	3,675				7,700	14.5	29.4	13.4	28.3
HBD 9000	9,000			5,497				3,675	8,900	18.5	34.2	17.4

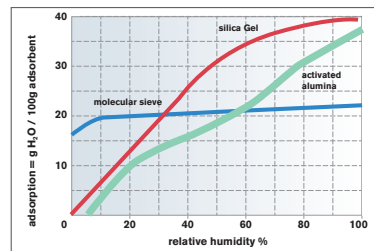
* ISO 7183, based on the intake volume of the compressor at +20°C and 1 bar (a), operating pressure 7 bar (g), inlet temperature +35°C, ambient or cooling water temperature +25°C, Pressure dew point -40°C. Technical data and specification are subject to change without prior notice



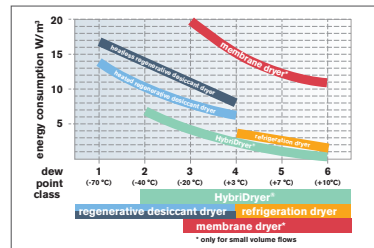
HBD 400 - 3000

Design Data	Min.	Nom.	Max.
Operating pressure	4 bar (g)	7 bar (g)	10 bar (g)*
Inlet temperature	+5°C	+35°C	+50°C
Ambient temperature	+3°C	+25°C	+45°C

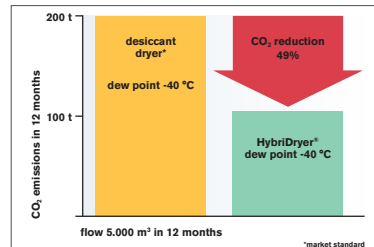
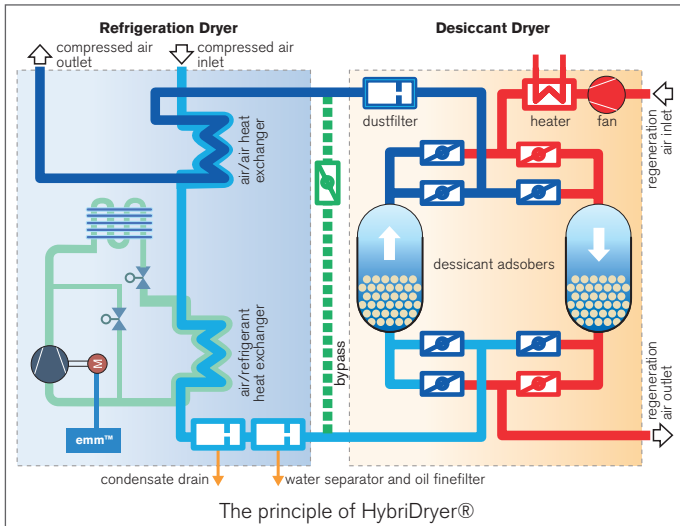
* 16 bar (g) as option



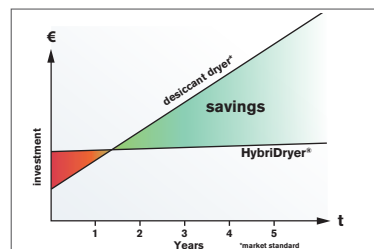
Ideal condition for the adsorbent activated alumina



Dew point classes and their energy requirements



CO₂ reductions with the HybriDryer®



Cost savings with the HybriDryer®

SPXFLOW



SPX Flow Technology Germany GmbH
 Konrad-Zuse-Straße 25 | D-47445 Moers
 Tel.: +49 (0) 28 41 / 8 19-0 | Fax: +49 (0) 28 41 / 8 19 83
 E-Mail: info@spx-hankison.de
 www.spx-hankison.de | www.spxflow.com

SPX FLOW, Inc. reserves the right to incorporate our latest design and material changes without notice or obligation.

Design features, materials of construction and dimensional data, as described in this bulletin, are provided for your information only and should not be relied upon unless confirmed in writing. Please contact your local sales representative for product availability in your region. For more information visit www.spxflow.com.

The green 'S' and 'X' are trademarks of SPX FLOW, Inc.