

## BL84 -Filter/regulator - Lubricator Combination Units Excelon® Plus Modular System

- > Port size: 3/8" ... 3/4" (ISO G/PTF)
- > Unique Quikclamp connection system offers full modularity
- > 40 micron particle and high efficiency water removal (> 98%)
- > Double safety lock on bowl
- > Shut off valve, Regulator & Filter Regulator with tamper resistance feature.
- > Light weight polycarbonate bowl
- > Metal bowl with prismatic liquid level indicator lens
- > High Corrosion resistance: Body and Metal bowl with electrophoretic paint finish
- > Easy to read flush mounted integrated pressure gauge as standard , integrated electronic pressure sensor as option.
- > All round (360°) visibility of sightdome for ease of drip rate setting



### Technical features

#### Medium:

Compressed air only

#### Maximum supply pressure:

Polycarbonate bowl: 10 bar (145 psi)

Metal bowl: 20 bar (290 psi)

#### Outlet pressure ranges:

0,3 ...10 bar (4 ... 145 psi),

#### Filter element:

40 µm

#### Port size:

G3/8, G1/2, G3/4,

3/8 PTF, 1/2 PTF, 3/4 PTF

#### Gauge:

Integrated as standard\*)

#### Diaphragm Type:

Relieving

#### Drain:

Manual or automatic

#### Automatic drain operating conditions (float operated):

Bowl pressure required to close drain: > 0,35 bar (5 psi)

Bowl pressure required to open drain: ≤ 0,2 bar (2.9 psi)

Minimum air flow required to close drain: 1 dm<sup>3</sup>/s (2 scfm)

#### Ambient/Media temperature:

Polycarbonate bowl:

-10 ... +60°C (+14 ... +140°F)

Metal bowl:

-20 ... +65°C (-4 ... +149°F)

Air supply must be dry enough to avoid ice formation at temperatures below +2°C (+35°F).

#### Materials:

Body: Die cast aluminium

Body covers: ABS

Bonnet: Acetal

Valve: PP with Geolast seals

Transparent Bowl : Polycarbonate with Polypropylene Guard.

Metal Bowl: Die cast Aluminium with PA liquid level indicator lens

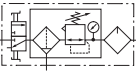
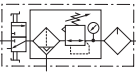
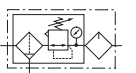

Filter element: sintered PP

Bowl 'o'- ring: Chloroprene

Elastomers: NBR

\*) Technical features IEPS (Integrated Electronic Pressure Sensor) see data sheet 8.200.300 B84G or visit <https://www.norgren.com/en/products/b84g-6gk-ap3-rmg>

### Technical data BL84 - standard models with integrated analogue gauge

Symbol	Port size	Shut off valve	Drain	Lubricator type	Weight (kg)	Model *1)
	G3/8	With	Manual	Microfog	1,65	BL84-321G
	G1/2	With	Manual	Microfog	1,65	BL84-421G
	G3/4	With	Manual	Microfog	1,65	BL84-621G
	G3/8	With	Auto	Microfog	1,65	BL84-301G
	G1/2	With	Auto	Microfog	1,65	BL84-401G
	G3/4	With	Auto	Microfog	1,65	BL84-601G
	G3/8	Without	Manual	Microfog	1,15	BL84-325G
	G1/2	Without	Manual	Microfog	1,15	BL84-425G
	G3/4	Without	Manual	Microfog	1,15	BL84-625G
	G3/8	Without	Auto	Microfog	1,15	BL84-305G
	G1/2	Without	Auto	Microfog	1,15	BL84-405G
	G3/4	Without	Auto	Microfog	1,15	BL84-605G

\*1) All models shown here are supplied with brackets and integrated gauge applicable for flow direction left to right.  
 With flow direction right to left please use the online configurator [www.norgren.com/air-preparation-configurator](http://www.norgren.com/air-preparation-configurator) or contact Norgren

### Option selector \*1)

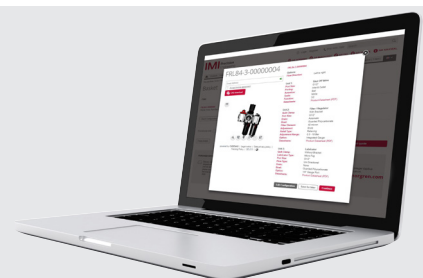
Port size		Substitute	BL84-★★★★★		Gauge	Substitute
3/8"		3	←	→	IEPS (integrated electronic pressure sensor)	E
1/2"		4			Integrated analogue gauge *2)	
3/4"		6				
Units		Substitute			Thread form	Substitute
Filter/Regulator w. auto drain, Micro fog lubricator, Polycarbonate bowls		0			PTF	A
Filter/Regulator w. auto drain, Oil fog lubricator, Polycarbonate bowls		1			ISO G parallel (standard)	G
Filter/Regulator w. manual drain, Micro fog lubricator, Polycarbonate bowls		2			Accessories	Substitute
Filter/Regulator w. manual drain, Oil fog lubricator, Polycarbonate bowls		3			Shut-off valve & gauge & brackets	1
Filter/Regulator w. auto drain, Micro fog lubricator, Metal bowls		5			Gauge & bracket	5
Filter/Regulator w. auto drain, Oil fog lubricator, Metal bowls		6				
Filter/Regulator w. manual drain, Micro fog lubricator, Metal bowls		7				
Filter/Regulator w. manual drain, Oil fog lubricator, Metal bowls		8				

\*1) All models shown here are applicable for flow direction left to right.  
 With flow direction right to left please use the online configurator [www.norgren.com/air-preparation-configurator](http://www.norgren.com/air-preparation-configurator) or contact Norgren

\*2) For combinations with an integrated analogue gauge leave the 9th digit blank

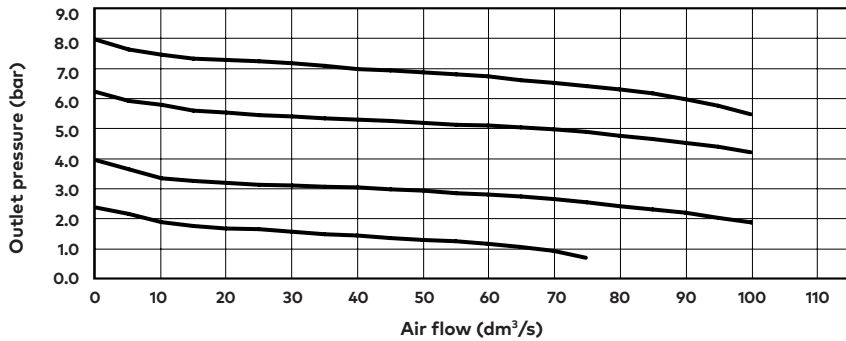
In addition to the standard box set units shown on this data sheet, further combinations can be configured using our online Air Preparation configurator:

[www.norgren.com/air-preparation-configurator](http://www.norgren.com/air-preparation-configurator)

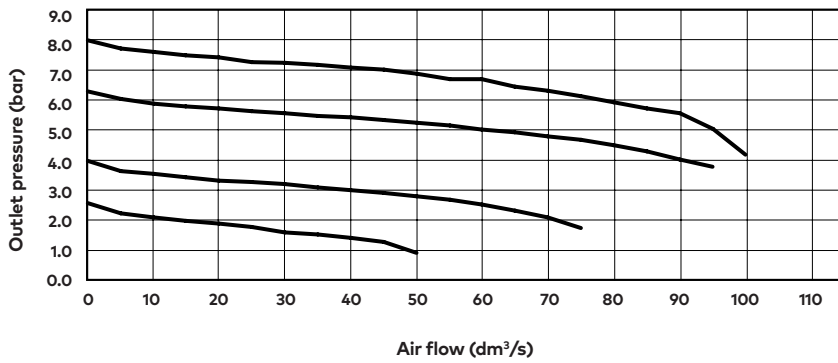


### Flow characteristics

Inlet pressure: 10 bar (145 psi)  
 Port size: 1/2", 40 µm element



Inlet pressure: 10 bar (145 psi)  
 Port size: 3/8", 40 µm element



**Quikclamp®**



**Page 10**  
840014-51KIT

**Quikclamp® with bracket assembled**



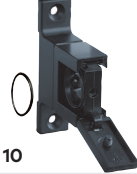
**Page 10**  
840014-52KIT

**Hybrid Quikclamp® \*1**



**Page 10**  
840014-61

**Hybrid Quikclamp® with bracket assembled \*1**



**Page 10**  
840014-62

**Port Adaptors**



**Page 11**

1/4 PTF	840015-01KIT
3/8 PTF	840015-02KIT
1/2 PTF	840015-03KIT
3/4 PTF	840015-04KIT
G1/4	840015-09KIT
G3/8	840015-10KIT
G1/2	840015-11KIT
G3/4	840015-12KIT

\*1) To connect new Excelon Plus to old Excelon 74/73 units. Having the same hole centres as 74 series mounting bracket. A Quikclamp adds 13.6 mm to the overall width of a combination unit

**Pressure sensing block 1/4 PTF**



**Page 10**  
840016-50KIT

**Pressure sensing block G1/4**



**Page 10**  
840016-51KIT

**Full flow porting block 3/4" PTF**




**Page 11**  
840028-50KIT

**Full flow porting block G3/4**



**Page 11**  
840028-53KIT

**Full flow porting block 3/4" PTF**



**Page 11**  
840028-68KIT

**Full flow porting block G3/4**



**Page 11**  
840028-69KIT

**Pressure switch interface block (18D pressure switch) G1/4**



**Page 11**  
0337717000000000

**Pressure switch 18D (0,5 ... 8bar) \*1**



**Page 11**  
0881300

**Digital pressure switch 51D (-1 ... 10 bar) \*2**



**Page 12**  
0860810

**Electronic Pressure Sensor – stand alone version \*3**



**Q84G**

### IO-Link cables

#### Connection cable M8x1 for integrated digital pressure switch



Description	Cable length (m)	Model
	0,6	NC-084FS-124MS-A
	1,0	NC-084FS-124MS-1
M8 female to M12 male	2,0	NC-084FS-124MS-2
	5,0	NC-084FS-124MS-5
M8 female to free end	5,0	NC-084FS-00000-5

\*1) Flanged version. For other pressure ranges, please see data sheet 5.11.001

\*2) For other pressure ranges, please see data sheet 5.11.385

\*3) Q84G stand alone electronic pressure sensor module see <http://s.norgren.com/digital-gauge-iodd> for data-sheet 8.900.905.

## Padlock

Padlock



840055-01KIT

Lockout device



840055-02KIT

## Silencer

Porous plastic silencer \*3)  
G1/4



M/S2

Plastic silencer \*3)  
G1/4



0014600000000000

Sinter bronze silencer \*3)  
1/4 PTF



MS002A

Sinter bronze silencer \*3)  
G1/4



T40C2800

\*3) Max. pressure of silencers listed in this data sheet : 10bar.  
For pressure higher than 10bar please contact Norgren

## Maintenance/Service

Filter cartridge  
40 micron



840038-51KIT

Auto drain kit with  
metal Nut - Imperial



6000-61KIT

Auto drain kit with  
metal Nut - Metric



6000-60KIT

R84 / B84  
Elastomer Kit



FRLB84-KIT

## Lubricator sight dome kit



Micro fog (red) 840055-50KIT

Oil fog (green) 840055-51KIT

## Spare parts

Filter Bowl (Guarded Poly bowl  
with auto drain 6 mm PIF)



840025-51KIT

Filter Bowl (Guarded Poly  
bowl with manual drain)



840025-50KIT

Filter Bowl (Metal with S/  
Glass & auto drain, 6 mm PIF)



840003-51KIT

Filter Bowl (Metal with S/  
Glass & manual drain)



840003-50KIT

Filter Bowl (Guarded Poly  
bowl with auto drain, 1/4 PIF)



840025-53KIT

Filter Bowl (Metal with S/  
Glass & auto drain, 1/4 PIF)

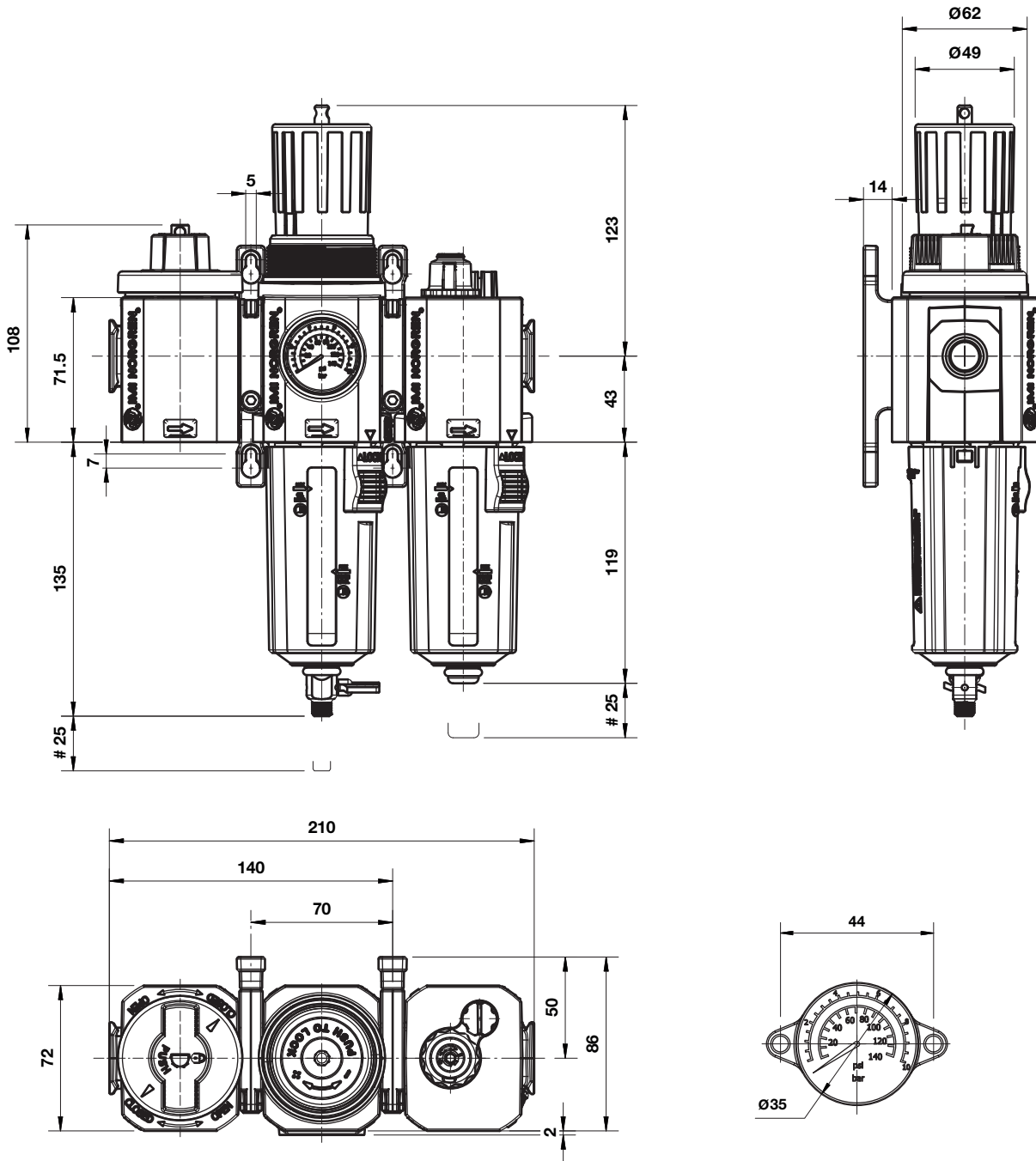


840003-56KIT

## Dimensions

Dimensions in mm  
Projection/First angle

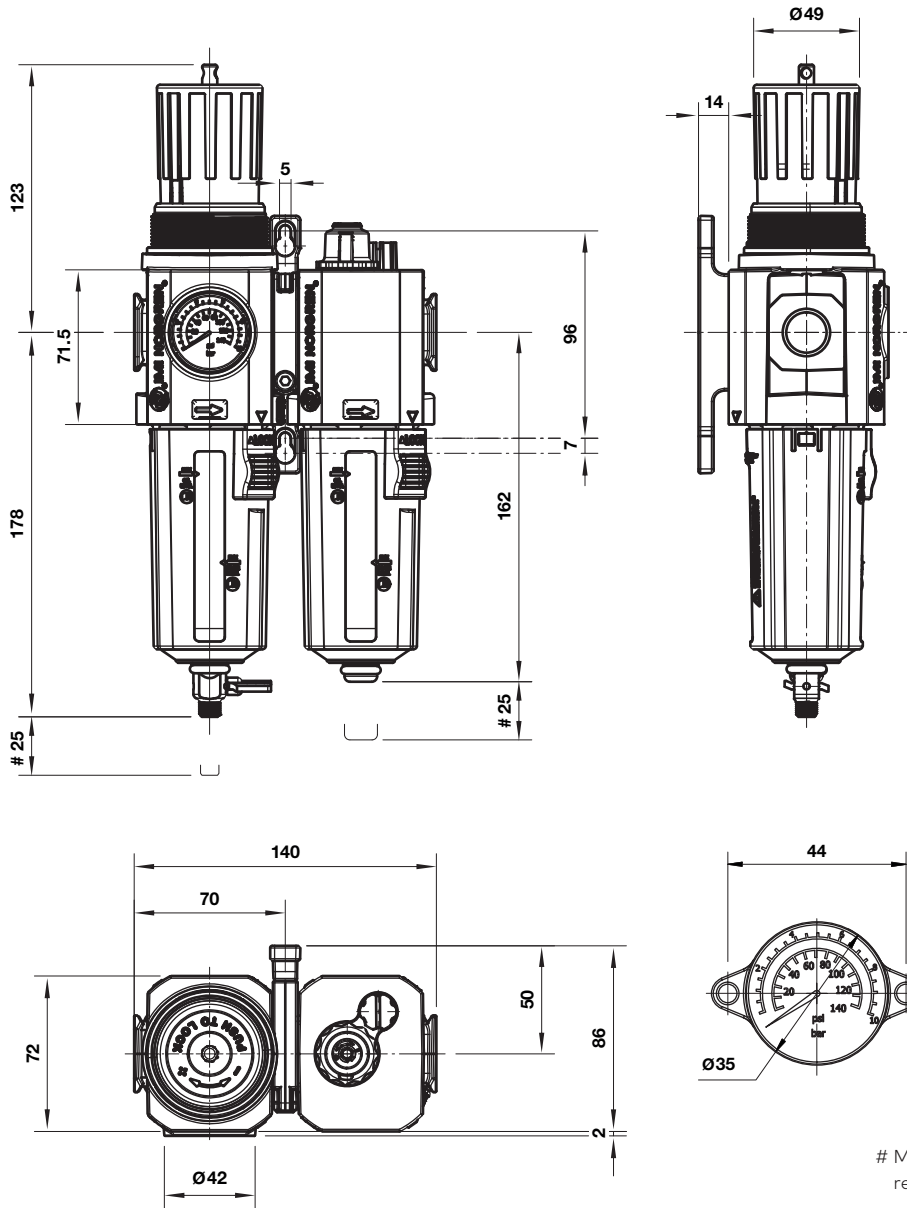
### Shut-off valve, Filter/regulator and Lubricator with integrated analogue gauge



# Minimum clearance for bowl removal

**Dimensions**  
**Filter/regulator and Lubricator with integrated analogue gauge**

Dimensions in mm  
 Projection/First angle

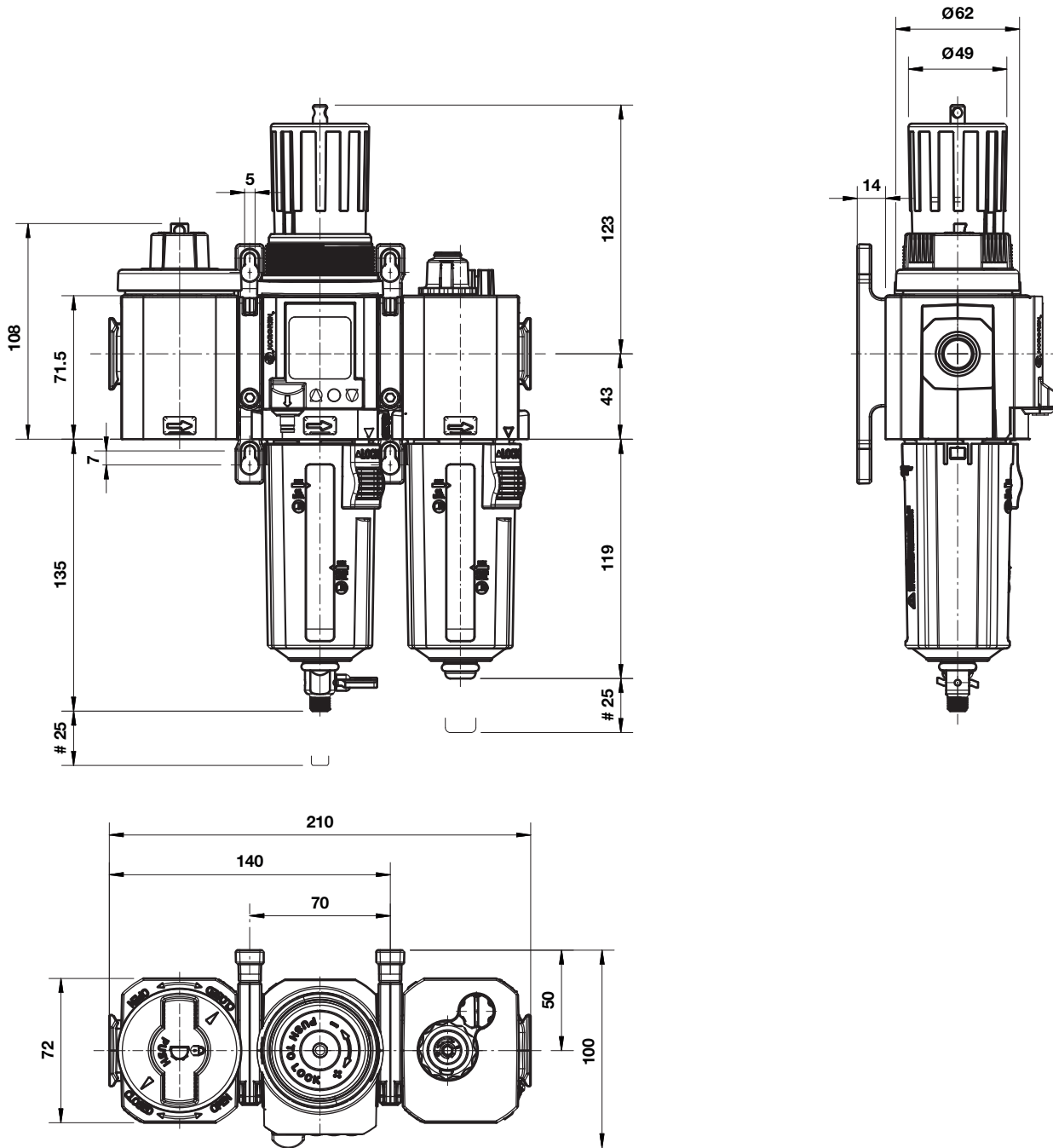


# Minimum clearance for bowl removal

## Dimensions

### Shut-off valve, Filter/regulator and Lubricator with IEPS

Dimensions in mm  
Projection/First angle

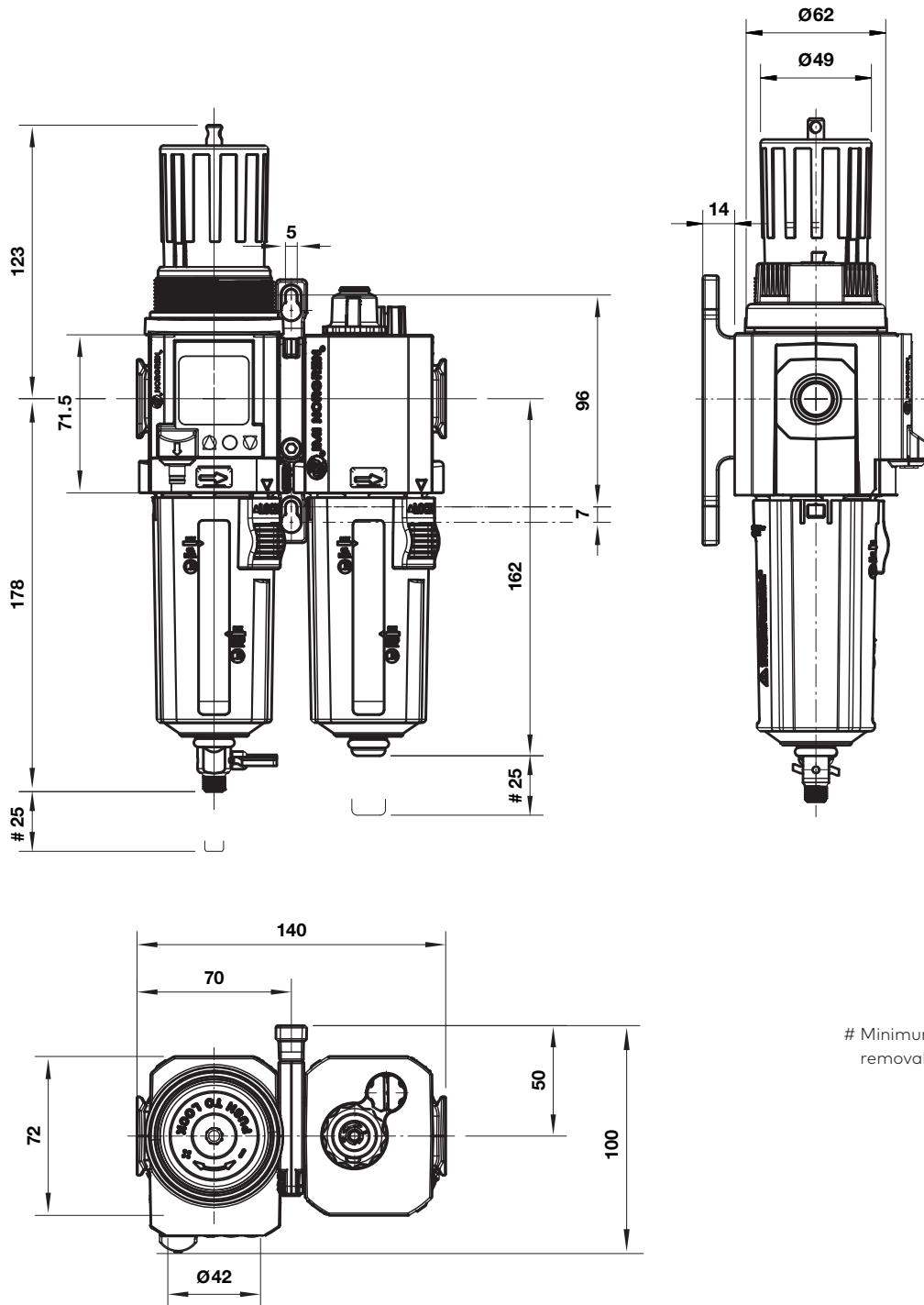


# Minimum clearance for bowl removal

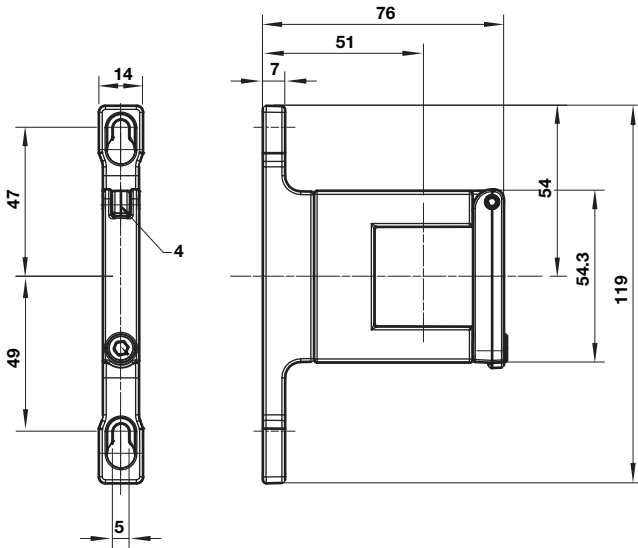
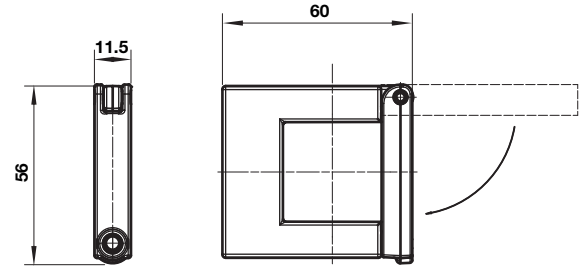


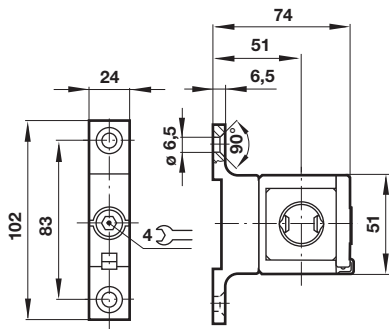
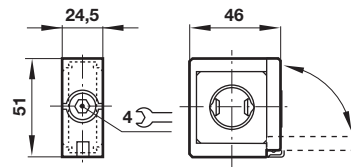
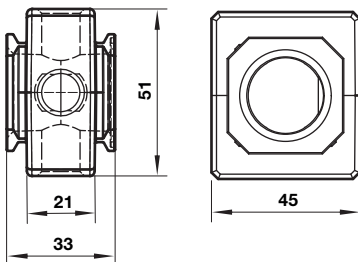
**Dimensions**  
**Filter/regulator and Lubricator with IEPS**

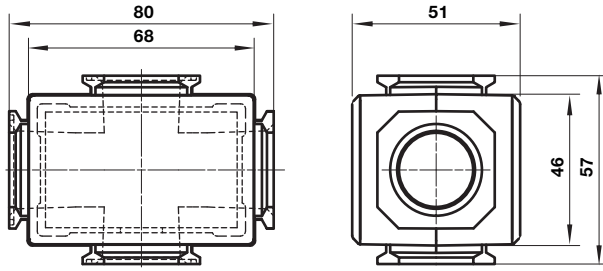
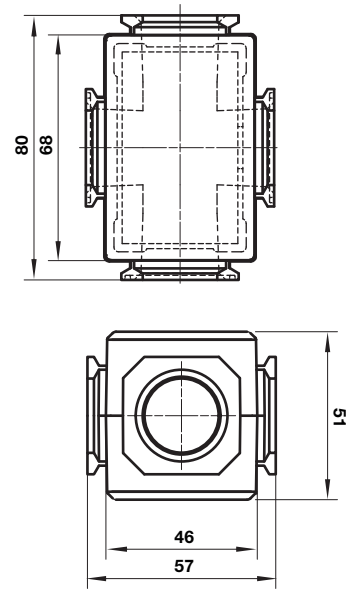
Dimensions in mm  
 Projection/First angle

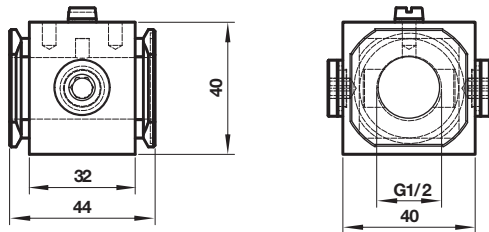
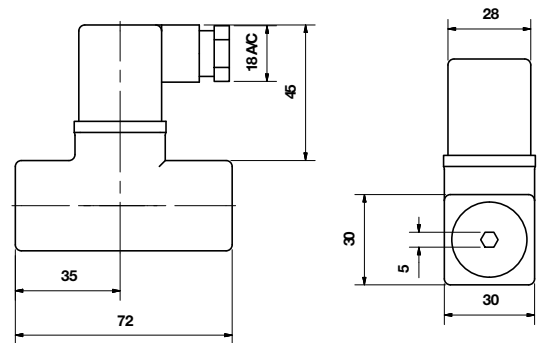
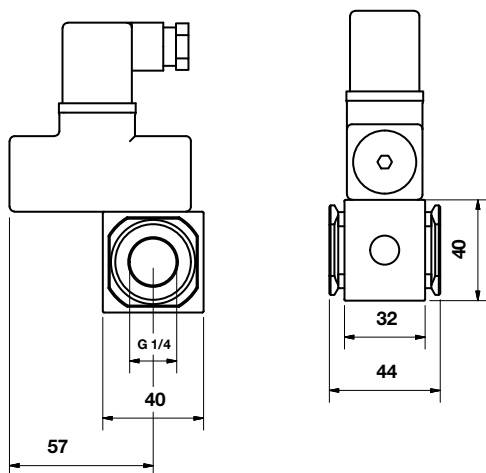
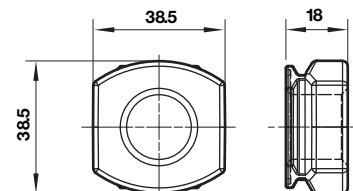


# Minimum clearance for bowl removal

**Accessories**
**Quikclamp® with wall bracket**

**Quikclamp®**

 Dimensions in mm  
 Projection/First angle

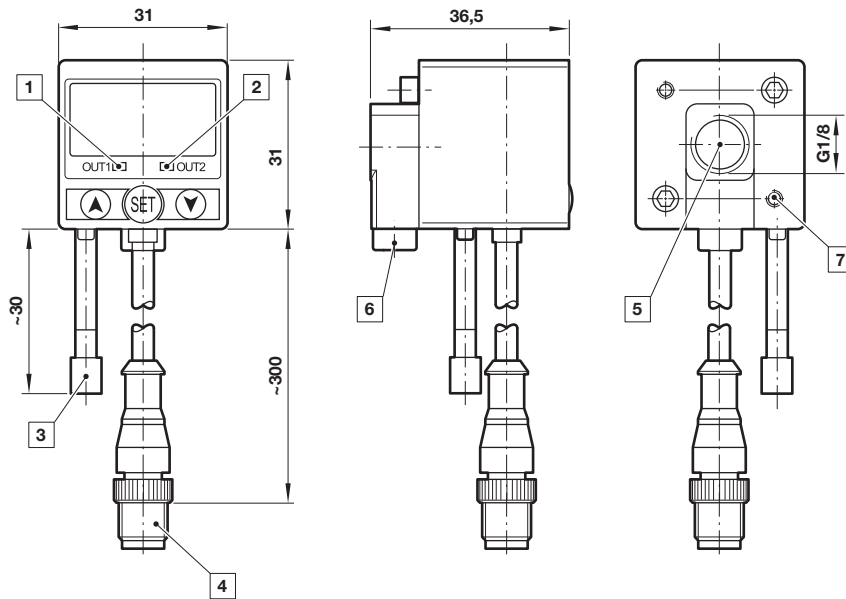
**Hybrid-Quikclamp® with wall bracket**

**Hybrid-Quikclamp®**

**Pressure sensing block**


**Full flow porting block horizontal**

**Full flow porting block vertical**

 Dimensions in mm  
 Projection/First angle

**Porting block for 18D pressure switch**

**18D Pressure switch**

**18D Porting block and  
18D assembled**

**Pipe adaptor**


## 51D Pressure switch - digital

Dimensions in mm  
Projection/First angle



- 1 Switch OUT 1, green LED
- 2 Switch OUT 2, red LED
- 3 Dustproof protector
- 4 Connector M12 x 1
- 5 Inlet port
- 6 Alternative inlet port G1/8 plugged
- 7 Thread for mounting screw

### Warning

These products are intended for use in industrial compressed air systems only. Do not use these products where pressures and temperatures can exceed those listed under »**Technical features/ data**«.

Before using these products with fluids other than those specified, for non-industrial applications, life-support systems or other applications not within published specifications, consult Norgren Ltd.

Through misuse, age, or malfunction, components used in fluid power systems can fail in various modes.

The system designer is warned to consider the failure modes of all component parts used in fluid power systems and to provide adequate safeguards to prevent personal injury or damage to equipment in the event of such failure.

System designers must provide a warning to end users in the system instructional manual if protection against a failure mode cannot be adequately provided.

System designers and end users are cautioned to review specific warnings found in instruction sheets packed and shipped with these products.