


# F82G – General purpose filter Excelon® Plus Modular System



- > Port size: 1/4" & 3/8" (ISO G/PTF)
- > Excelon® Plus design allows in-line installation or modular installation with other Excelon® Plus products
- > 5 or 40 micron particle and high efficiency water removal (> 95%)
- > Double safety lock bowl
- > Metal bowl with prismatic liquid level indicator lens
- > Light weight polycarbonate bowl
- > Air purity classes in accordance to ISO8573-1:2010:  
7:8:4 (40µm)  
6:8:4 (5µm)
- >  DoC in accordance with 2014/34/EU/ATEX



## Technical features

### Medium:

Compressed air only  
Maximum supply pressure:  
Polycarbonate bowl: 10 bar (145 psi)  
Metal bowl: 17 bar (246 psi)

### Filter element:

5 µm & 40 µm

### Port size:

G1/4, G3/8  
1/4 PTF, 3/8 PTF

### Flow:

23 dm<sup>3</sup>/s (port size 1/4") and  
27dm<sup>3</sup>/s (port size 3/8") at inlet  
pressure 6.3bar (91psi) and a  
Δp 0,5 bar (7,25 psi) pressure  
drop. Filter element 40µm


### Drain:

Manual or automatic  
Automatic drain operating  
conditions (float operated):  
Bowl pressure required to  
close drain: > 0,35 bar (5 psi)  
Bowl pressure required to open  
drain: ≤ 0,2 bar (2,9 psi)  
Minimum air flow required to  
close drain: 1dm<sup>3</sup>/s.

### Ambient/Media temperature:

Polycarbonate bowl:  
-10 ... +60°C (14 ... +140°F)  
Metal bowl:  
-20 ... +65°C (-4 ... +149°F)  
Air supply must be dry enough  
to avoid ice formation at  
temperatures below +2°C  
(+35°F).


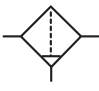
### Atex:

Filters F82 are in conformity with  
Atex 2014/34/EU  
 II 2 GD  
Ex h IIC T6 Gb  
EX h IIIC T85°C Db

### Materials:

Body: Die cast aluminium  
Body covers: ABS  
Transparent Bowl : Polycarbonate with Polypropylene Guard.  
Metal Bowl: Die cast Zinc with PA liquid level indicator lens  
Filter element: sintered PP  
Bowl 'o'- ring: Chloroprene  
Elastomers: NBR

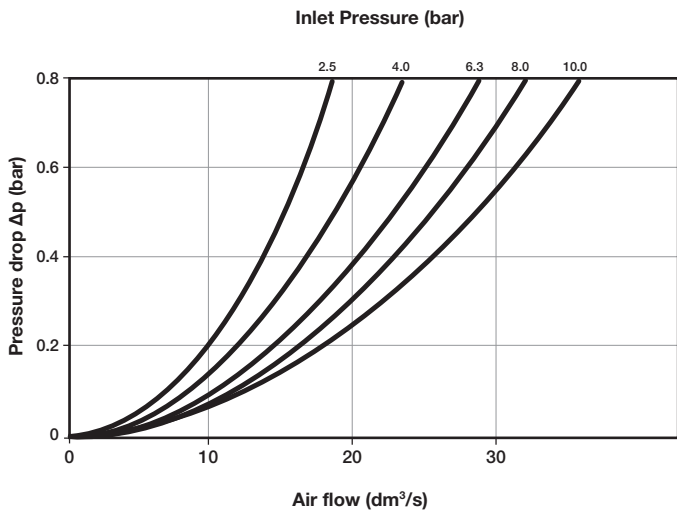
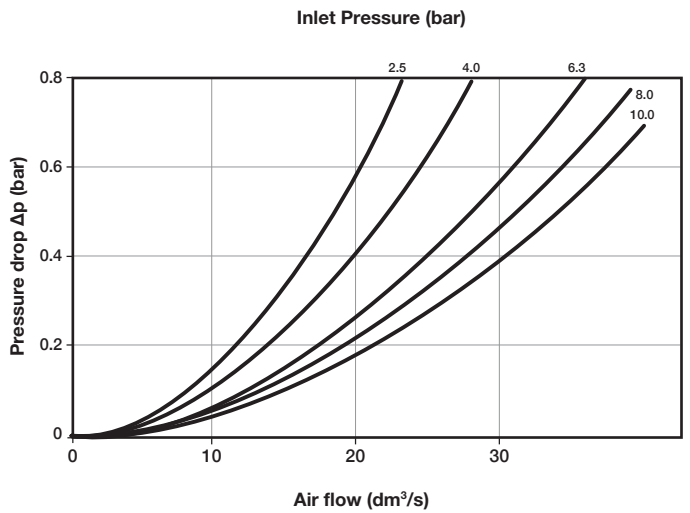
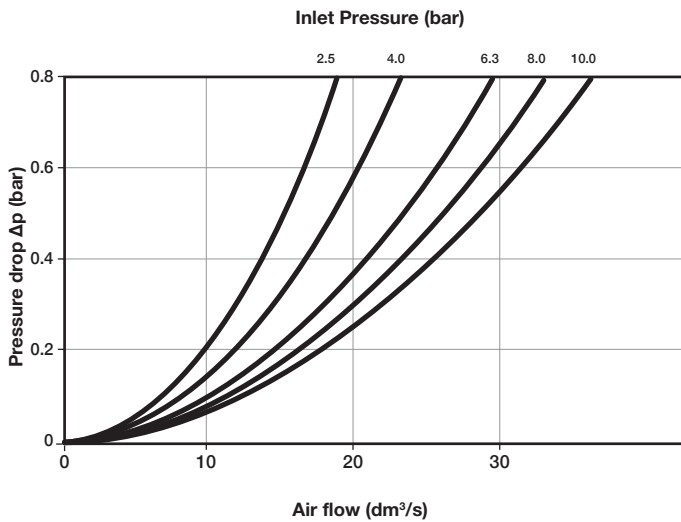
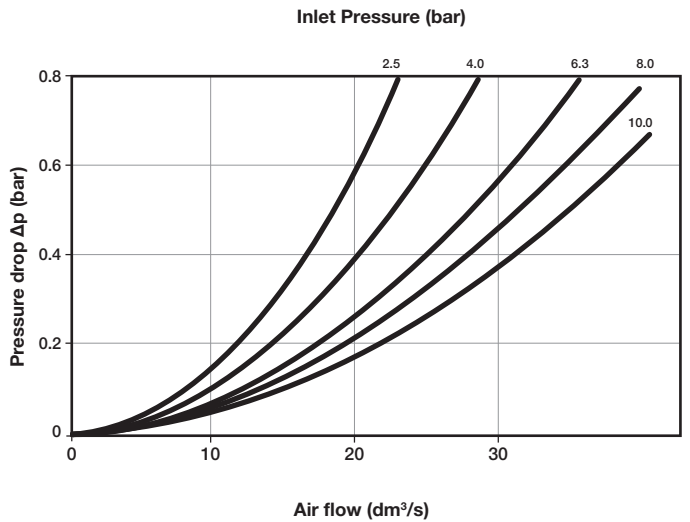
## Technical data F82G—standard models

Symbol	Port Size	Drain	Filter element (µm)	Bowl	Weight (kg)	Model *1)
	G1/4	Auto	40	Guarded polycarbonate	0,22	F82G-2GN-AP3
	G3/8	Auto	40	Guarded polycarbonate	0,22	F82G-3GN-AP3
	G1/4	Auto	40	Metal with level indicator	0,41	F82G-2GN-AD3
	G3/8	Auto	40	Metal with level indicator	0,41	F82G-3GN-AD3
	G1/4	Manual	40	Guarded polycarbonate	0,20	F82G-2GN-QP3
	G3/8	Manual	40	Guarded polycarbonate	0,20	F82G-3GN-QP3
	G1/4	Manual	40	Metal with level indicator	0,40	F82G-2GN-QD3
	G3/8	Manual	40	Metal with level indicator	0,40	F82G-3GN-QD3

**Option selector**
**F82G-★ ★ N - ★ ★ ★**

Port size	Substitute
1/4"	2
3/8"	3
Thread form	Substitute
PTF	A
ISO G (standard)	G
Drain	Substitute
Manual (standard)	Q
Auto drain (standard)	A

Element	Substitute
5 μm	1
40 μm (standard)	3
Bowl	Substitute
Transparent with guard (standard)	P
Metal with liquid indicator	D

**Flow characteristics**
**Element: 40 μm**  
**Port size: 1/4"**

**Element: 40 μm**  
**Port size: 3/8"**

**Element: 5 μm**  
**Port size: 1/4"**

**Element: 5 μm**  
**Port size: 3/8"**


**Accessories**
**Wall mounting bracket**

**Page 5**

820024-50KIT

**Quikclamp®**

**Page 5**

820014-51KIT

**Quikclamp® with bracket assembled**

**Page 5**

820014-52KIT

**Pressure sensing block 1/4 PTF**

**Page 5**

820016-50KIT

**Pressure sensing block G1/4**

**Page 5**

820016-51KIT

**Full flow porting block 3/8" PTF**

**Page 5**

820028-50KIT

**Full flow porting block G3/8**

**Page 5**

820028-53KIT

**Pressure switch interface block (18D pressure switch)**

**Page 6**

0523109000000000

**Pneumatic pressure switch 18D (0,5 ... 8 bar) \*1)**

**Page 6**

0881300

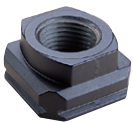
**Digital pressure switch 51D (-1 ... 10 bar) \*2)**

**Page 6**

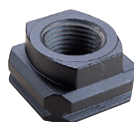
0860810

\*1) Flanged version. For other pressure ranges, please see data sheet 5.11.001

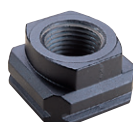
\*2) For other pressure ranges, please see data sheet 5.11.385

**Port Adaptors 1/4 PTF**

**Page 6**

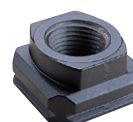
820015-02KIT

**Port Adaptors 3/8 PTF**

**Page 6**

820015-03KIT

**Port Adaptors G1/4**

**Page 6**

820015-08KIT

**Port Adaptors G3/8**

**Page 6**

820015-09KIT

**Maintenance/Service**
**Filter cartridge  
5 micron**


820038-50KIT

**Filter cartridge  
40 micron**


820038-51KIT

**Auto drain kit with  
metal Nut - Imperial**


6000-61KIT

**Auto drain kit with  
metal Nut - Metric**


6000-60KIT

**Spare parts**
**Filter Bowl (Guarded Poly  
bowl with auto drain 6 mm PIF)**


820025-51KIT

**Filter Bowl (Guarded Poly  
bowl with manual drain)**


820025-50KIT

**Filter Bowl (Metal with S/  
Glass & auto drain, 6 mm PIF)**


820003-51KIT

**Filter Bowl (Metal with S/  
Glass & manual drain)**


820003-50KIT

**Filter Bowl (Guarded Poly  
bowl with auto drain, 1/4 PIF)**


820025-53KIT

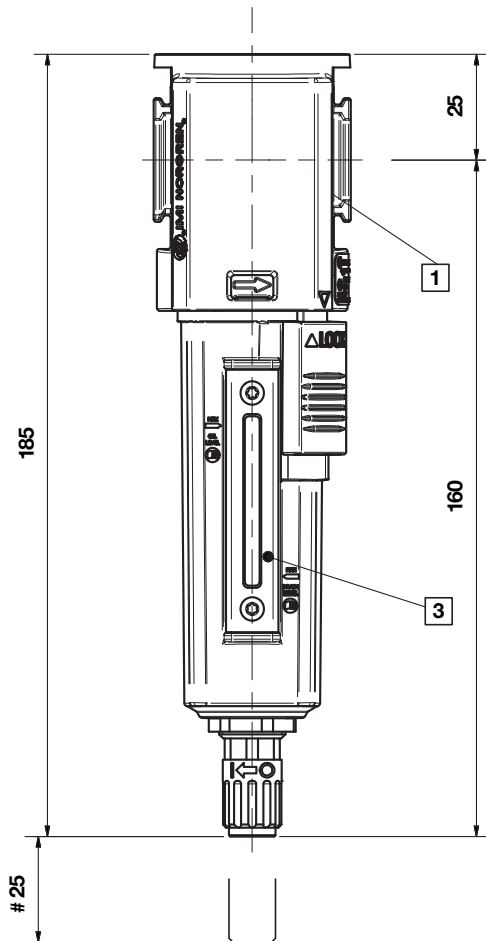
**Filter Bowl (Metal with S/  
Glass & auto drain, 1/4 PIF)**


820003-56KIT

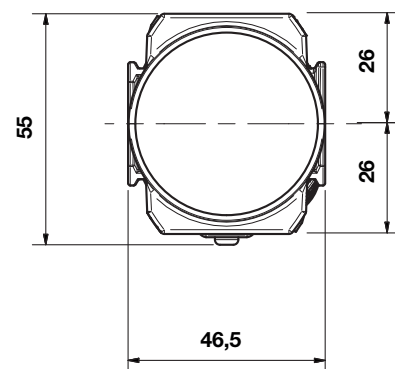
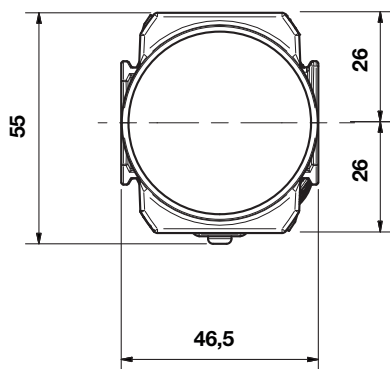
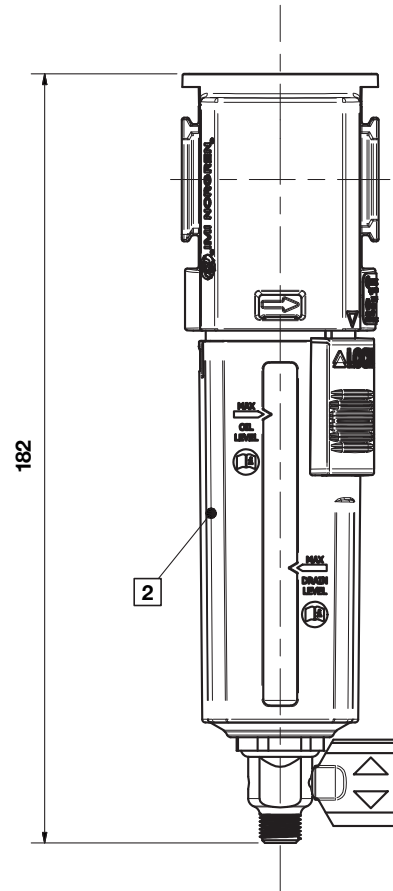
**Dimensions**

 Dimensions in mm  
 Projection/First angle


Automatic Drain



1/4 Turn Manual Drain

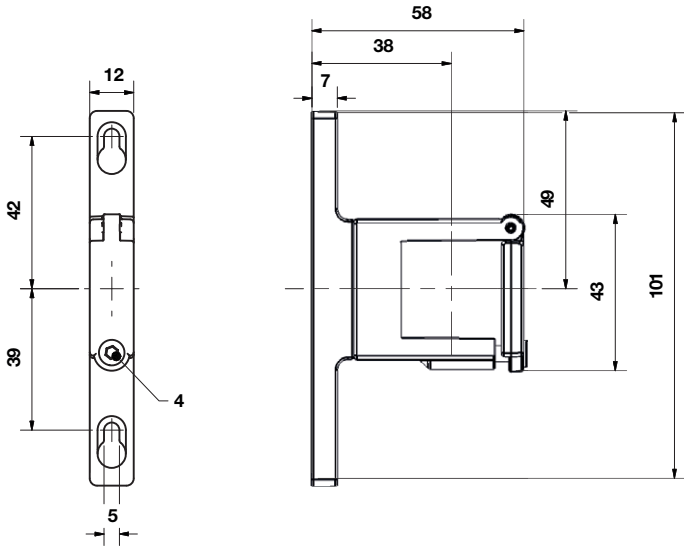
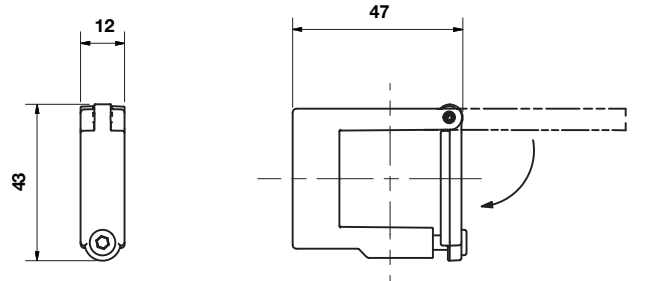


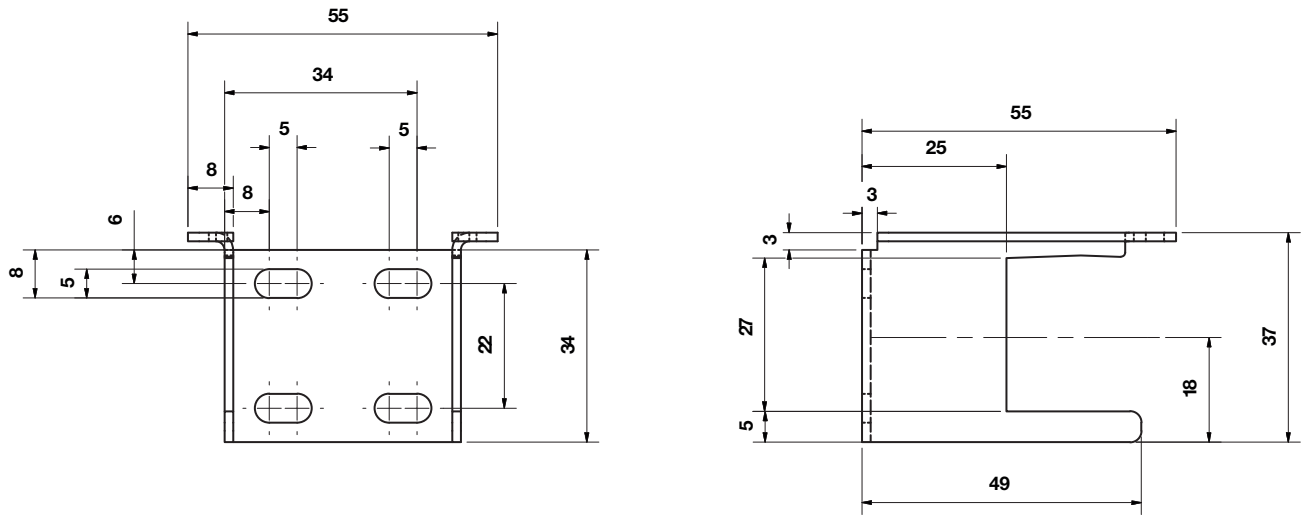
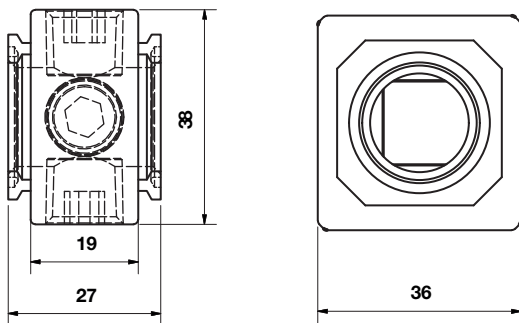
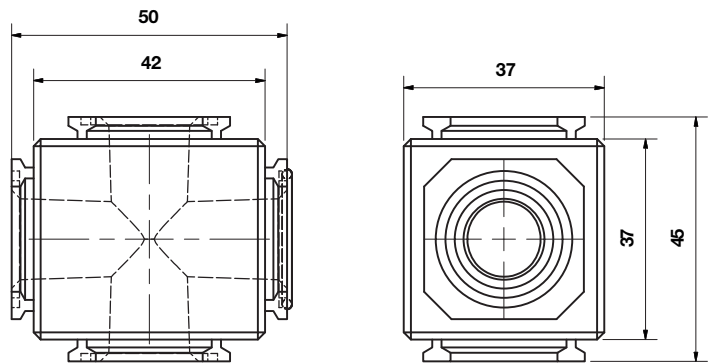
# Minimum clearance required to remove bowl

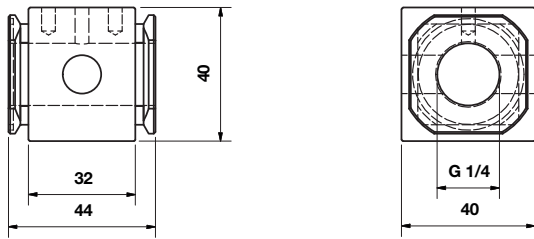
1 Main ports 1/4", 3/8" (ISO G/PTF)

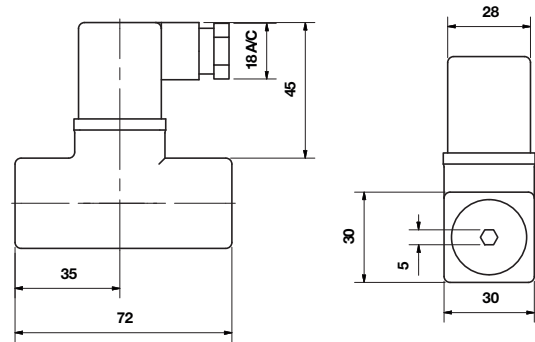
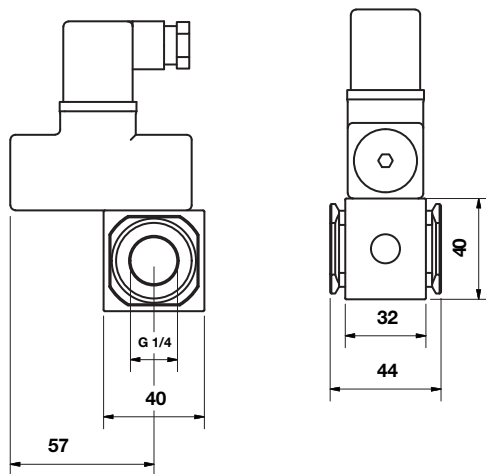
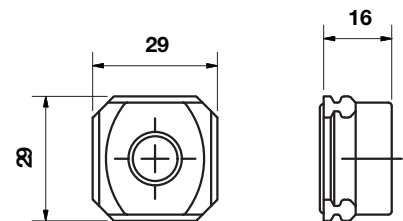
2 Transparent bowl with guard

3 Metal bowl with liquid level indicator lens

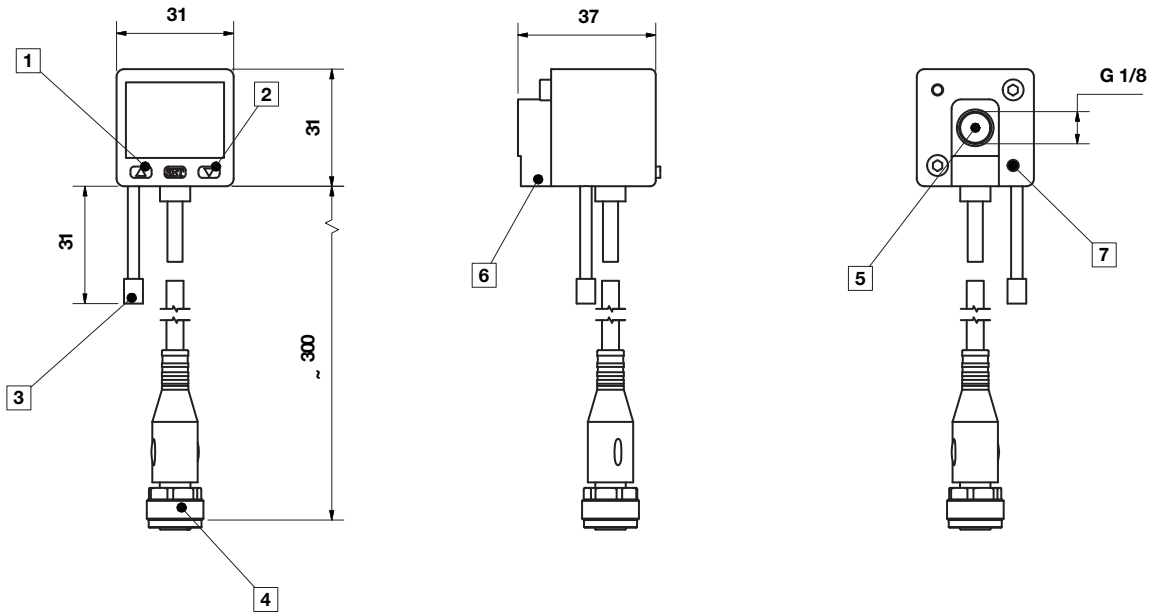
**Accessories**
**Quikclamp® with wall bracket**

**Quikclamp®**

 Dimensions in mm  
 Projection/First angle

**Mounting bracket**

**Pressure sensing block**

**Full flow porting block**


**Porting block for 18D pressure switch**

**18D Pressure switch**

 Dimensions in mm  
 Projection/First angle

**18D Porting block and 18D assembled**

**Pipe adaptor**


**51D Pressure switch - digital**

 Dimensions in mm  
 Projection/First angle


- 1 Switch OUT 1, green LED
- 2 Switch OUT 2, red LED
- 3 Dustproof protector
- 4 Connector M12 x 1
- 5 Inlet port
- 6 Alternative inlet port G1/8 plugged
- 7 Thread for mounting screw

**Warning**

These products are intended for use in industrial compressed air systems only. Do not use these products where pressures and temperatures can exceed those listed under »**Technical features/ data**«.

Before using these products with fluids other than those specified, for non-industrial applications, life-support systems or other applications not within published specifications, consult Norgren Ltd.

Through misuse, age, or malfunction, components used in fluid power systems can fail in various modes.

The system designer is warned to consider the failure modes of all component parts used in fluid power systems and to provide adequate safeguards to prevent personal injury or damage to equipment in the event of such failure.

System designers must provide a warning to end users in the system instructional manual if protection against a failure mode cannot be adequately provided.

System designers and end users are cautioned to review specific warnings found in instruction sheets packed and shipped with these products.