

VS26 series, 2 x 2/2, 2 x 3/2, 5/2 or 5/3 ISO valve islands



- > **Modular system offering a wide range of configuration options conforming to ISO 15407-2, Size 26 mm**
- > **24 V d.c. or 115 V a.c. Multipole and single station sub-base**
- > **Integrated Fieldbus, Industrial Ethernet and IO-Link**
- > **Fieldbus expandable with single add-on stations, Industrial Ethernet and IO-Link expandable with double add-on stations.**
- > **Wide range of accessories including shut off valves enabling non-stop operation**
- > **Dual spool technology**
 - Glandless spool and sleeve for long life
 - Softseal spool for high flow
- > **Up to 40 solenoids, operating at 16 bar pressure**
- > **UL and ATEX**



To configure and order a Valve Island visit:
https://www.norgren.com/uk/en/vic_landing.aspx

Technical features

Medium:

Compressed air, filtered to 40 µm, lubricated or non-lubricated

Operation:

VS26G: Glandless spool valve, solenoid pilot actuated
 VS26S: Softseal spool valve, solenoid pilot actuated

Flow:

Function	l/min	Cv	Kv
2 x 2/2	1150	1,17	1,00
2 x 3/2	1250	1,27	1,09
5/2; 5/3	1350	1,37	1,18

Glandless

5/2; 5/3	1000	1,02	0,87
----------	------	------	------

Mounting:

Sub-base

Ports 2+4:

G1/4, NPTF 1/4, PIF 10 mm,

PIF 8 mm, PIF 3/8

Operating pressure:

Maximum pressure
 10 bar (145 psi) VS26S models and VS26G solenoid pilot actuated valves with internal pilot supply 16 bar (232 psi)
 VS26G solenoid pilot actuated valves with external pilot supply. Details of minimum and maximum pilot pressure see overleaf

Media/Ambient temperature:

-15 ... +50°C (+5 ... 122°F)

(Ambient)

-5 ... +50°C (+23 ... 122°F)

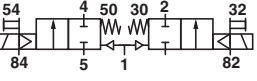
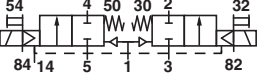
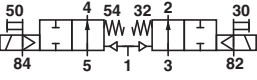
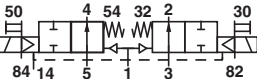
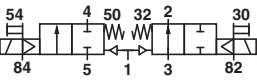
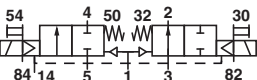
(Media)

Air supply must be dry enough to avoid ice formation at temperatures below +2°C (+35°F).

Materials:

Body/sub-base: die-cast aluminium
 Glandless spool & sleeve (VS26G): aluminium, hard anodised, PTFE coated
 Softseal spool (VS26S): aluminium with HNBR seals
 Plastic parts: POM, PA, PPA
 Mounting sheets/screws: steel, zinc coated
 Springs: stainless steel
 Sandwich plates: aluminium bar material, PA
 Electrical contacts: brass, tin gold coated
 PCB: glass epoxy

2 x 2/2 Double solenoid actuated softseal valves (flow 1150 l/min)

Symbol	Function 2 x 2/2	Actuation/return	Pilot supply	Pilot pressure (bar)	Operating pressure (bar)	Manual override	Voltage	Model
	NC	Sol/Spring	Internal	3 ... 10 *1)	-0,9 ... 10	Push only	24 V d.c. 1,2 W	VS26SE11DF313A
	NC	Sol/Spring	Internal	3 ... 10 *1)	-0,9 ... 10	Push only	115 V a.c. 1,5 VA	VS26SE11DF318A
	NC	Sol/Spring	Internal	3 ... 10 *1)	-0,9 ... 10	Push & turn	24 V d.c. 1,2 W	VS26SE11DF213A
	NC	Sol/Spring	Internal	3 ... 10 *1)	-0,9 ... 10	Push & turn	115 V a.c. 1,5 VA	VS26SE11DF218A
	NC	Sol/Spring	Internal	3 ... 10 *1)	-0,9 ... 10	Extended, push only	24 V d.c. 1,2 W	VS26SE11DF513A
	NC	Sol/Spring	Internal	3 ... 10 *1)	-0,9 ... 10	Extended, push only	115 V a.c. 1,5 VA	VS26SE11DF518A
	NC	Sol/Spring	External	1,7 + (0,35 x press. port 1) *2)	-0,9 ... 10	Push only	24 V d.c. 1,2 W	VS26SE22DF313A
	NC	Sol/Spring	External	1,7 + (0,35 x press. port 1) *2)	-0,9 ... 10	Push only	115 V a.c. 1,5 VA	VS26SE22DF318A
	NC	Sol/Spring	External	1,7 + (0,35 x press. port 1) *2)	-0,9 ... 10	Push & turn	24 V d.c. 1,2 W	VS26SE22DF213A
	NC	Sol/Spring	External	1,7 + (0,35 x press. port 1) *2)	-0,9 ... 10	Push & turn	115 V a.c. 1,5 VA	VS26SE22DF218A
	NC	Sol/Spring	External	1,7 + (0,35 x press. port 1) *2)	-0,9 ... 10	Extended, push only	24 V d.c. 1,2 W	VS26SE22DF513A
	NC	Sol/Spring	External	1,7 + (0,35 x press. port 1) *2)	-0,9 ... 10	Extended, push only	115 V a.c. 1,5 VA	VS26SE22DF518A
	NO	Sol/Spring	Internal	3 ... 10 *1)	-0,9 ... 10	Push only	24 V d.c. 1,2 W	VS26SF11DF313A
	NO	Sol/Spring	Internal	3 ... 10 *1)	-0,9 ... 10	Push only	115 V a.c. 1,5 VA	VS26SF11DF318A
	NO	Sol/Spring	Internal	3 ... 10 *1)	-0,9 ... 10	Push & turn	24 V d.c. 1,2 W	VS26SF11DF213A
	NO	Sol/Spring	Internal	3 ... 10 *1)	-0,9 ... 10	Push & turn	115 V a.c. 1,5 VA	VS26SF11DF218A
	NO	Sol/Spring	Internal	3 ... 10 *1)	-0,9 ... 10	Extended, push only	24 V d.c. 1,2 W	VS26SF11DF513A
	NO	Sol/Spring	Internal	3 ... 10 *1)	-0,9 ... 10	Extended, push only	115 V a.c. 1,5 VA	VS26SF11DF518A
	NO	Sol/Spring	External	1,7 + (0,35 x press. port 1) *2)	-0,9 ... 10	Push only	24 V d.c. 1,2 W	VS26SF22DF313A
	NO	Sol/Spring	External	1,7 + (0,35 x press. port 1) *2)	-0,9 ... 10	Push only	115 V a.c. 1,5 VA	VS26SF22DF318A
	NO	Sol/Spring	External	1,7 + (0,35 x press. port 1) *2)	-0,9 ... 10	Push & turn	24 V d.c. 1,2 W	VS26SF22DF213A
	NO	Sol/Spring	External	1,7 + (0,35 x press. port 1) *2)	-0,9 ... 10	Push & turn	115 V a.c. 1,5 VA	VS26SF22DF218A
	NO	Sol/Spring	External	1,7 + (0,35 x press. port 1) *2)	-0,9 ... 10	Extended, push only	24 V d.c. 1,2 W	VS26SF22DF513A
	NO	Sol/Spring	External	1,7 + (0,35 x press. port 1) *2)	-0,9 ... 10	Extended, push only	115 V a.c. 1,5 VA	VS26SF22DF518A
	NO/NC	Sol/Spring	Internal	3 ... 10 *1)	-0,9 ... 10	Push only	24 V d.c. 1,2 W	VS26SG11DF313A
	NO/NC	Sol/Spring	Internal	3 ... 10 *1)	-0,9 ... 10	Push only	115 V a.c. 1,5 VA	VS26SG11DF318A
	NO/NC	Sol/Spring	Internal	3 ... 10 *1)	-0,9 ... 10	Push & turn	24 V d.c. 1,2 W	VS26SG11DF213A
	NO/NC	Sol/Spring	Internal	3 ... 10 *1)	-0,9 ... 10	Push & turn	115 V a.c. 1,5 VA	VS26SG11DF218A
	NO/NC	Sol/Spring	Internal	3 ... 10 *1)	-0,9 ... 10	Extended, push only	24 V d.c. 1,2 W	VS26SG11DF513A
	NO/NC	Sol/Spring	Internal	3 ... 10 *1)	-0,9 ... 10	Extended, push only	115 V a.c. 1,5 VA	VS26SG11DF518A
	NO/NC	Sol/Spring	External	1,7 + (0,35 x press. port 1) *2)	-0,9 ... 10	Push only	24 V d.c. 1,2 W	VS26SG22DF313A
	NO/NC	Sol/Spring	External	1,7 + (0,35 x press. port 1) *2)	-0,9 ... 10	Push only	115 V a.c. 1,5 VA	VS26SG22DF318A
	NO/NC	Sol/Spring	External	1,7 + (0,35 x press. port 1) *2)	-0,9 ... 10	Push & turn	24 V d.c. 1,2 W	VS26SG22DF213A
	NO/NC	Sol/Spring	External	1,7 + (0,35 x press. port 1) *2)	-0,9 ... 10	Push & turn	115 V a.c. 1,5 VA	VS26SG22DF218A
	NO/NC	Sol/Spring	External	1,7 + (0,35 x press. port 1) *2)	-0,9 ... 10	Extended, push only	24 V d.c. 1,2 W	VS26SG22DF513A
	NO/NC	Sol/Spring	External	1,7 + (0,35 x press. port 1) *2)	-0,9 ... 10	Extended, push only	115 V a.c. 1,5 VA	VS26SG22DF518A

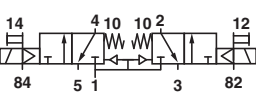
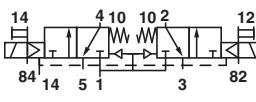
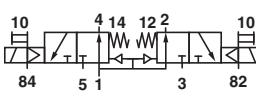
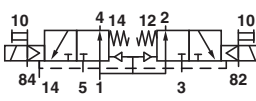
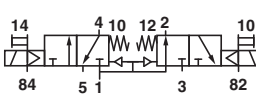
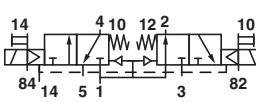
Valve dimensions see page 9

NO = Normally open, NC = Normally closed

*1) Pilot air supply through port 1

*2) Pilot air supply through port 12/14

2 x 3/2 Double solenoid actuated softseal valves (flow 1250 l/min)

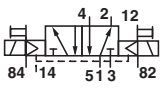
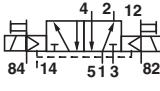
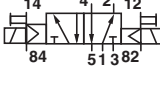
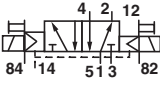
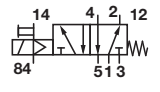
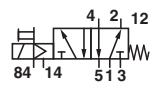
Symbol	Function 2 x 3/2	Actuation/return	Pilot supply	Pilot pressure (bar)	Operating pressure (bar)	Manual override	Voltage	Model
	NC	Sol/Spring	Internal	-	3 ... 10	Push only	24 V d.c. 1,2 W	VS26SA11DF313A
	NC	Sol/Spring	Internal	-	3 ... 10	Push only	115 V a.c. 1,5 VA	VS26SA11DF318A
	NC	Sol/Spring	Internal	-	3 ... 10	Push & turn	24 V d.c. 1,2 W	VS26SA11DF213A
	NC	Sol/Spring	Internal	-	3 ... 10	Push & turn	115 V a.c. 1,5 VA	VS26SA11DF218A
	NC	Sol/Spring	Internal	-	3 ... 10	Extended, push only	24 V d.c. 1,2 W	VS26SA11DF513A
	NC	Sol/Spring	Internal	-	3 ... 10	Extended, push only	115 V a.c. 1,5 VA	VS26SA11DF518A
	NC	Sol/Spring	External	1,7 + (0,5 x op. press.)	0 ... 10	Push only	24 V d.c. 1,2 W	VS26SA22DF313A
	NC	Sol/Spring	External	1,7 + (0,5 x op. press.)	0 ... 10	Push only	115 V a.c. 1,5 VA	VS26SA22DF318A
	NC	Sol/Spring	External	1,7 + (0,5 x op. press.)	0 ... 10	Push & turn	24 V d.c. 1,2 W	VS26SA22DF213A
	NC	Sol/Spring	External	1,7 + (0,5 x op. press.)	0 ... 10	Push & turn	115 V a.c. 1,5 VA	VS26SA22DF218A
	NC	Sol/Spring	External	1,7 + (0,5 x op. press.)	0 ... 10	Extended, push only	24 V d.c. 1,2 W	VS26SA22DF513A
	NC	Sol/Spring	External	1,7 + (0,5 x op. press.)	0 ... 10	Extended, push only	115 V a.c. 1,5 VA	VS26SA22DF518A
	NO	Sol/Spring	Internal	-	3 ... 10	Push only	24 V d.c. 1,2 W	VS26SB11DF313A
	NO	Sol/Spring	Internal	-	3 ... 10	Push only	115 V a.c. 1,5 VA	VS26SB11DF318A
	NO	Sol/Spring	Internal	-	3 ... 10	Push & turn	24 V d.c. 1,2 W	VS26SB11DF213A
	NO	Sol/Spring	Internal	-	3 ... 10	Push & turn	115 V a.c. 1,5 VA	VS26SB11DF218A
	NO	Sol/Spring	Internal	-	3 ... 10	Extended, push only	24 V d.c. 1,2 W	VS26SB11DF513A
	NO	Sol/Spring	Internal	-	3 ... 10	Extended, push only	115 V a.c. 1,5 VA	VS26SB11DF518A
	NO	Sol/Spring	External	1,7 + (0,5 x op. press.)	0 ... 10	Push only	24 V d.c. 1,2 W	VS26SB22DF313A
	NO	Sol/Spring	External	1,7 + (0,5 x op. press.)	0 ... 10	Push only	115 V a.c. 1,5 VA	VS26SB22DF318A
	NO	Sol/Spring	External	1,7 + (0,5 x op. press.)	0 ... 10	Push & turn	24 V d.c. 1,2 W	VS26SB22DF213A
	NO	Sol/Spring	External	1,7 + (0,5 x op. press.)	0 ... 10	Push & turn	115 V a.c. 1,5 VA	VS26SB22DF218A
	NO	Sol/Spring	External	1,7 + (0,5 x op. press.)	0 ... 10	Extended, push only	24 V d.c. 1,2 W	VS26SB22DF513A
	NO	Sol/Spring	External	1,7 + (0,5 x op. press.)	0 ... 10	Extended, push only	115 V a.c. 1,5 VA	VS26SB22DF518A
	NO/NC	Sol/Spring	Internal	-	3 ... 10	Push only	24 V d.c. 1,2 W	VS26SC11DF313A
	NO/NC	Sol/Spring	Internal	-	3 ... 10	Push only	115 V a.c. 1,5 VA	VS26SC11DF318A
	NO/NC	Sol/Spring	Internal	-	3 ... 10	Push & turn	24 V d.c. 1,2 W	VS26SC11DF213A
	NO/NC	Sol/Spring	Internal	-	3 ... 10	Push & turn	115 V a.c. 1,5 VA	VS26SC11DF218A
	NO/NC	Sol/Spring	Internal	-	3 ... 10	Extended, push only	24 V d.c. 1,2 W	VS26SC11DF513A
	NO/NC	Sol/Spring	Internal	-	3 ... 10	Extended, push only	115 V a.c. 1,5 VA	VS26SC11DF518A
	NO/NC	Sol/Spring	External	1,7 + (0,5 x op. press.)	0 ... 10	Push only	24 V d.c. 1,2 W	VS26SC22DF313A
	NO/NC	Sol/Spring	External	1,7 + (0,5 x op. press.)	0 ... 10	Push only	115 V a.c. 1,5 VA	VS26SC22DF318A
	NO/NC	Sol/Spring	External	1,7 + (0,5 x op. press.)	0 ... 10	Push & turn	24 V d.c. 1,2 W	VS26SC22DF213A
	NO/NC	Sol/Spring	External	1,7 + (0,5 x op. press.)	0 ... 10	Push & turn	115 V a.c. 1,5 VA	VS26SC22DF218A
	NO/NC	Sol/Spring	External	1,7 + (0,5 x op. press.)	0 ... 10	Extended, push only	24 V d.c. 1,2 W	VS26SC22DF513A
	NO/NC	Sol/Spring	External	1,7 + (0,5 x op. press.)	0 ... 10	Extended, push only	115 V a.c. 1,5 VA	VS26SC22DF518A

Valve dimensions see page 9

Valve function:

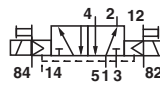
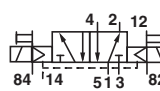
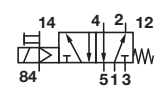
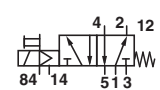
NO = Normally open, NC = Normally closed

5/2 Single and double solenoid actuated glandless valves (flow 1000 l/min)

Symbol	Actuation/ return	Pilot supply	Pilot pressure (bar)	Operating pressure (bar)	Manual override	Voltage	Model
	Sol/Sol	Internal	-	2 ... 10	Push only	24 V d.c. 1,2 W	VS26G511DF313A
	Sol/Sol	Internal	-	2 ... 10	Push only	115 V a.c. 1,5 VA	VS26G511DF318A
	Sol/Sol	Internal	-	2 ... 10	Push & turn	24 V d.c. 1,2 W	VS26G511DF213A
	Sol/Sol	Internal	-	2 ... 10	Push & turn	115 V a.c. 1,5 VA	VS26G511DF218A
	Sol/Sol	Internal	-	2 ... 10	Extended, push only	24 V d.c. 1,2 W	VS26G511DF513A
	Sol/Sol	Internal	-	2 ... 10	Extended, push only	115 V a.c. 1,5 VA	VS26G511DF518A
	Sol/Sol	External	2 ... 10	-0,9 ... 16	Push only	24 V d.c. 1,2 W	VS26G522DF313A
	Sol/Sol	External	2 ... 10	-0,9 ... 16	Push only	115 V a.c. 1,5 VA	VS26G522DF318A
	Sol/Sol	External	2 ... 10	-0,9 ... 16	Push & turn	24 V d.c. 1,2 W	VS26G522DF213A
	Sol/Sol	External	2 ... 10	-0,9 ... 16	Push & turn	115 V a.c. 1,5 VA	VS26G522DF218A
	Sol/Sol	External	2 ... 10	-0,9 ... 16	Extended, push only	24 V d.c. 1,2 W	VS26G522DF513A
	Sol/Sol	External	2 ... 10	-0,9 ... 16	Extended, push only	115 V a.c. 1,5 VA	VS26G522DF518A
	Sol (Priority)/Sol	Internal	-	2 ... 10	Push only	24 V d.c. 1,2 W	VS26G591DF313A
	Sol (Priority)/Sol	Internal	-	2 ... 10	Push only	115 V a.c. 1,5 VA	VS26G591DF318A
	Sol (Priority)/Sol	Internal	-	2 ... 10	Push & turn	24 V d.c. 1,2 W	VS26G591DF213A
	Sol (Priority)/Sol	Internal	-	2 ... 10	Push & turn	115 V a.c. 1,5 VA	VS26G591DF218A
	Sol (Priority)/Sol	Internal	-	2 ... 10	Extended, push only	24 V d.c. 1,2 W	VS26G591DF513A
	Sol (Priority)/Sol	Internal	-	2 ... 10	Extended, push only	115 V a.c. 1,5 VA	VS26G591DF518A
	Sol (Priority)/Sol	External	2 ... 10	-0,9 ... 16	Push only	24 V d.c. 1,2 W	VS26G592DF313A
	Sol (Priority)/Sol	External	2 ... 10	-0,9 ... 16	Push only	115 V a.c. 1,5 VA	VS26G592DF318A
	Sol (Priority)/Sol	External	2 ... 10	-0,9 ... 16	Push & turn	24 V d.c. 1,2 W	VS26G592DF213A
	Sol (Priority)/Sol	External	2 ... 10	-0,9 ... 16	Push & turn	115 V a.c. 1,5 VA	VS26G592DF218A
	Sol (Priority)/Sol	External	2 ... 10	-0,9 ... 16	Extended, push only	24 V d.c. 1,2 W	VS26G592DF513A
	Sol (Priority)/Sol	External	2 ... 10	-0,9 ... 16	Extended, push only	115 V a.c. 1,5 VA	VS26G592DF518A
	Sol/Spring	Internal	-	1,6 ... 10	Push only	24 V d.c. 1,2 W	VS26G517DF313A
	Sol/Spring	Internal	-	1,6 ... 10	Push only	115 V a.c. 1,5 VA	VS26G517DF318A
	Sol/Spring	Internal	-	1,6 ... 10	Push & turn	24 V d.c. 1,2 W	VS26G517DF213A
	Sol/Spring	Internal	-	1,6 ... 10	Push & turn	115 V a.c. 1,5 VA	VS26G517DF218A
	Sol/Spring	Internal	-	1,6 ... 10	Extended, push only	24 V d.c. 1,2 W	VS26G517DF513A
	Sol/Spring	Internal	-	1,6 ... 10	Extended, push only	115 V a.c. 1,5 VA	VS26G517DF518A
	Sol/Spring	External	1,6 ... 10	-0,9 ... 16	Push only	24 V d.c. 1,2 W	VS26G527DF313A
	Sol/Spring	External	1,6 ... 10	-0,9 ... 16	Push only	115 V a.c. 1,5 VA	VS26G527DF318A
	Sol/Spring	External	1,6 ... 10	-0,9 ... 16	Push & turn	24 V d.c. 1,2 W	VS26G527DF213A
	Sol/Spring	External	1,6 ... 10	-0,9 ... 16	Push & turn	115 V a.c. 1,5 VA	VS26G527DF218A
	Sol/Spring	External	1,6 ... 10	-0,9 ... 16	Extended, push only	24 V d.c. 1,2 W	VS26G527DF513A
	Sol/Spring	External	1,6 ... 10	-0,9 ... 16	Extended, push only	115 V a.c. 1,5 VA	VS26G527DF518A

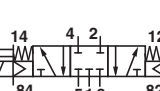
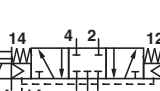
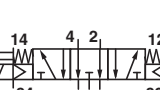
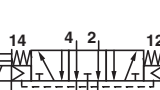
Valve dimensions see page 9

5/2 Single and double solenoid actuated softseal valves (flow 1350 l/min)

Symbol	Actuation/ return	Pilot supply	Pilot pressure (bar)	Operating pressure (bar)	Manual over- ride	Voltage	Model
	Sol/Sol	Internal	-	2 ... 10	Push only	24 V d.c. 1,2 W	VS26S511DF313A
	Sol/Sol	Internal	-	2 ... 10	Push only	115 V a.c. 1,5 VA	VS26S511DF318A
	Sol/Sol	Internal	-	2 ... 10	Push & turn	24 V d.c. 1,2 W	VS26S511DF213A
	Sol/Sol	Internal	-	2 ... 10	Push & turn	115 V a.c. 1,5 VA	VS26S511DF218A
	Sol/Sol	Internal	-	2 ... 10	Extended, push only	24 V d.c. 1,2 W	VS26S511DF513A
	Sol/Sol	Internal	-	2 ... 10	Extended, push only	115 V a.c. 1,5 VA	VS26S511DF518A
	Sol/Sol	External	2 ... 10	-0,9 ... 10	Push only	24 V d.c. 1,2 W	VS26S522DF313A
	Sol/Sol	External	2 ... 10	-0,9 ... 10	Push only	115 V a.c. 1,5 VA	VS26S522DF318A
	Sol/Sol	External	2 ... 10	-0,9 ... 10	Push & turn	24 V d.c. 1,2 W	VS26S522DF213A
	Sol/Sol	External	2 ... 10	-0,9 ... 10	Push & turn	115 V a.c. 1,5 VA	VS26S522DF218A
	Sol/Sol	External	2 ... 10	-0,9 ... 10	Extended, push only	24 V d.c. 1,2 W	VS26S522DF513A
	Sol/Sol	External	2 ... 10	-0,9 ... 10	Extended, push only	115 V a.c. 1,5 VA	VS26S522DF518A
	Sol/Spring	Internal	-	2 ... 10	Push only	24 V d.c. 1,2 W	VS26S517DF313A
	Sol/Spring	Internal	-	2 ... 10	Push only	115 V a.c. 1,5 VA	VS26S517DF318A
	Sol/Spring	Internal	-	2 ... 10	Push & turn	24 V d.c. 1,2 W	VS26S517DF213A
	Sol/Spring	Internal	-	2 ... 10	Push & turn	115 V a.c. 1,5 VA	VS26S517DF218A
	Sol/Spring	Internal	-	2 ... 10	Extended, push only	24 V d.c. 1,2 W	VS26S517DF513A
	Sol/Spring	Internal	-	2 ... 10	Extended, push only	115 V a.c. 1,5 VA	VS26S517DF518A
	Sol/Spring	External	2 ... 10	-0,9 ... 10	Push only	24 V d.c. 1,2 W	VS26S527DF313A
	Sol/Spring	External	2 ... 10	-0,9 ... 10	Push only	115 V a.c. 1,5 VA	VS26S527DF318A
	Sol/Spring	External	2 ... 10	-0,9 ... 10	Push & turn	24 V d.c. 1,2 W	VS26S527DF213A
	Sol/Spring	External	2 ... 10	-0,9 ... 10	Push & turn	115 V a.c. 1,5 VA	VS26S527DF218A
	Sol/Spring	External	2 ... 10	-0,9 ... 10	Extended, push only	24 V d.c. 1,2 W	VS26S527DF513A
	Sol/Spring	External	2 ... 10	-0,9 ... 10	Extended, push only	115 V a.c. 1,5 VA	VS26S527DF518A

Valve dimensions see page 9

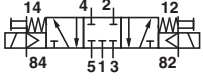
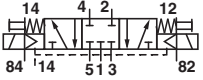
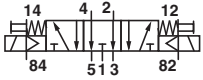
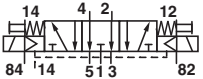
5/3 Double solenoid actuated glandless valves (flow 1000 l/min)

Symbol	Function	Actuation/ return	Pilot supply	Pilot pressure (bar)	Operating pressure (bar)	Manual over- ride	Voltage	Model
	APB	Sol/Sol	Internal	-	2 ... 10	Push only	24 V d.c. 1,2 W	VS26G611DF313A
	APB	Sol/Sol	Internal	-	2 ... 10	Push only	115 V a.c. 1,5 VA	VS26G611DF318A
	APB	Sol/Sol	Internal	-	2 ... 10	Push & turn	24 V d.c. 1,2 W	VS26G611DF213A
	APB	Sol/Sol	Internal	-	2 ... 10	Push & turn	115 V a.c. 1,5 VA	VS26G611DF218A
	APB	Sol/Sol	Internal	-	2 ... 10	Extended, push only	24 V d.c. 1,2 W	VS26G611DF513A
	APB	Sol/Sol	Internal	-	2 ... 10	Extended, push only	115 V a.c. 1,5 VA	VS26G611DF518A
	APB	Sol/Sol	External	2 ... 10	-0,9 ... 16	Push only	24 V d.c. 1,2 W	VS26G622DF313A
	APB	Sol/Sol	External	2 ... 10	-0,9 ... 16	Push only	115 V a.c. 1,5 VA	VS26G622DF318A
	APB	Sol/Sol	External	2 ... 10	-0,9 ... 16	Push & turn	24 V d.c. 1,2 W	VS26G622DF213A
	APB	Sol/Sol	External	2 ... 10	-0,9 ... 16	Push & turn	115 V a.c. 1,5 VA	VS26G622DF218A
	APB	Sol/Sol	External	2 ... 10	-0,9 ... 16	Extended, push only	24 V d.c. 1,2 W	VS26G622DF513A
	APB	Sol/Sol	External	2 ... 10	-0,9 ... 16	Extended, push only	115 V a.c. 1,5 VA	VS26G622DF518A
	COE	Sol/Sol	Internal	-	2 ... 10	Push only	24 V d.c. 1,2 W	VS26G711DF313A
	COE	Sol/Sol	Internal	-	2 ... 10	Push only	115 V a.c. 1,5 VA	VS26G711DF318A
	COE	Sol/Sol	Internal	-	2 ... 10	Push & turn	24 V d.c. 1,2 W	VS26G711DF213A
	COE	Sol/Sol	Internal	-	2 ... 10	Push & turn	115 V a.c. 1,5 VA	VS26G711DF218A
	COE	Sol/Sol	Internal	-	2 ... 10	Extended, push only	24 V d.c. 1,2 W	VS26G711DF513A
	COE	Sol/Sol	Internal	-	2 ... 10	Extended, push only	115 V a.c. 1,5 VA	VS26G711DF518A
	COE	Sol/Sol	External	2 ... 10	-0,9 ... 16	Push only	24 V d.c. 1,2 W	VS26G722DF313A
	COE	Sol/Sol	External	2 ... 10	-0,9 ... 16	Push only	115 V a.c. 1,5 VA	VS26G722DF318A
	COE	Sol/Sol	External	2 ... 10	-0,9 ... 16	Push & turn	24 V d.c. 1,2 W	VS26G722DF213A
	COE	Sol/Sol	External	2 ... 10	-0,9 ... 16	Push & turn	115 V a.c. 1,5 VA	VS26G722DF218A
	COE	Sol/Sol	External	2 ... 10	-0,9 ... 16	Extended, push only	24 V d.c. 1,2 W	VS26G722DF513A
	COE	Sol/Sol	External	2 ... 10	-0,9 ... 16	Extended, push only	115 V a.c. 1,5 VA	VS26G722DF518A

Valve dimensions see page 9

APB = All Ports Blocked COE = Centre Open Exhaust

5/3 Double solenoid actuated softseal valves (flow 1350 l/min)

Symbol	Function	Actuation/ return	Pilot supply	Pilot pressure (bar)	Operating pressure (bar)	Manual override	Voltage	Model
	APB	Sol/Sol	Internal	-	2,5 ... 10	Push only	24 V d.c. 1,2 W	VS26S611DF313A
	APB	Sol/Sol	Internal	-	2,5 ... 10	Push only	115 V a.c. 1,5 VA	VS26S611DF318A
	APB	Sol/Sol	Internal	-	2,5 ... 10	Push & turn	24 V d.c. 1,2 W	VS26S611DF213A
	APB	Sol/Sol	Internal	-	2,5 ... 10	Push & turn	115 V a.c. 1,5 VA	VS26S611DF218A
	APB	Sol/Sol	Internal	-	2,5 ... 10	Extended, push only	24 V d.c. 1,2 W	VS26S611DF513A
	APB	Sol/Sol	Internal	-	2,5 ... 10	Extended, push only	115 V a.c. 1,5 VA	VS26S611DF518A
	APB	Sol/Sol	External	2,5 ... 10	-0,9 ... 10	Push only	24 V d.c. 1,2 W	VS26S622DF313A
	APB	Sol/Sol	External	2,5 ... 10	-0,9 ... 10	Push only	115 V a.c. 1,5 VA	VS26S622DF318A
	APB	Sol/Sol	External	2,5 ... 10	-0,9 ... 10	Push & turn	24 V d.c. 1,2 W	VS26S622DF213A
	APB	Sol/Sol	External	2,5 ... 10	-0,9 ... 10	Push & turn	115 V a.c. 1,5 VA	VS26S622DF218A
	APB	Sol/Sol	External	2,5 ... 10	-0,9 ... 10	Extended, push only	24 V d.c. 1,2 W	VS26S622DF513A
	APB	Sol/Sol	External	2,5 ... 10	-0,9 ... 10	Extended, push only	115 V a.c. 1,5 VA	VS26S622DF518A
	COE	Sol/Sol	Internal	-	2,5 ... 10	Push only	24 V d.c. 1,2 W	VS26S711DF313A
	COE	Sol/Sol	Internal	-	2,5 ... 10	Push only	115 V a.c. 1,5 VA	VS26S711DF318A
	COE	Sol/Sol	Internal	-	2,5 ... 10	Push & turn	24 V d.c. 1,2 W	VS26S711DF213A
	COE	Sol/Sol	Internal	-	2,5 ... 10	Push & turn	115 V a.c. 1,5 VA	VS26S711DF218A
	COE	Sol/Sol	Internal	-	2,5 ... 10	Extended, push only	24 V d.c. 1,2 W	VS26S711DF513A
	COE	Sol/Sol	Internal	-	2,5 ... 10	Extended, push only	115 V a.c. 1,5 VA	VS26S711DF518A
	COE	Sol/Sol	External	2,5 ... 10	-0,9 ... 10	Push only	24 V d.c. 1,2 W	VS26S722DF313A
	COE	Sol/Sol	External	2,5 ... 10	-0,9 ... 10	Push only	115 V a.c. 1,5 VA	VS26S722DF318A
	COE	Sol/Sol	External	2,5 ... 10	-0,9 ... 10	Push & turn	24 V d.c. 1,2 W	VS26S722DF213A
	COE	Sol/Sol	External	2,5 ... 10	-0,9 ... 10	Push & turn	115 V a.c. 1,5 VA	VS26S722DF218A
	COE	Sol/Sol	External	2,5 ... 10	-0,9 ... 10	Extended, push only	24 V d.c. 1,2 W	VS26S722DF513A
	COE	Sol/Sol	External	2,5 ... 10	-0,9 ... 10	Extended, push only	115 V a.c. 1,5 VA	VS26S722DF518A

Valve dimensions see page 9

APB = All Ports Blocked COE = Centre Open Exhaust

Options selector

Spool technology	Substitute
Glandless spool & sleeve	G
Softseal spool	S
Guiding systems	Substitute
2x3/2 NC *3)	A
2x3/2 NO *3)	B
2x3/2 NO/NC *3)	C
2x2/2 NO *3)	E
2x2/2 NO/NC *3)	F
2x2/2 (NO/NC) *3)	G
5/2	5
5/3 APB	6
5/3 COE	7

*3) Available with softseal spool only (VS26S).

VS26★★★★DF★★★★

Application	Substitute
Standard environment	A
ATEX approval *6)	E
Voltage (tolerances)	Substitute
24 V d.c. 1,2 W (±10%)	13
115 V a.c. 1,5 VA (-10/+15%)	18
12 V d.c. 1,2 W (±10%)	available on request
12 V d.c. 1,5 W (-17/+20%)	available on request
24 V d.c. 1,5 W (-17/+20%)	available on request
Manual override *5)	Substitute
Push & turn	2
Push only	3
Extended, push only	5
Actuation/Pilot supply	Substitute
Solenoid/Spring; Internal pilot supply	17
Solenoid/Spring; External pilot supply	27
Solenoid/Solenoid; Internal pilot supply	11
Solenoid/Solenoid; External pilot supply	22
Solenoid priority side 14/Solenoid (5/2 only) Internal pilot supply *4)	91
Solenoid priority side 14/Solenoid (5/2 only) External pilot supply *4)	92

*4) Available with glandless spool & sleeve only (VS26G)

*5) Option "without manual override" available on request.

*6) Available with 24 V d.c. 1,2 W (±10%) only

Electrical details for solenoid operators

Voltage tolerances	(24 V d.c) +/- 10%
Voltage tolerances	(115 V a.c) -10%/+15%
Rating	100 % Continuous duty
Inlet orifice	0,8 mm
Indication	LED green
Surge suppression	Transil diode
Materials	PPS (body), FKM and NBR (seal)

Note: Alternative voltage and voltage tolerances see option selector above.

Protection classification (IP Code):

All VS26 valve islands fulfill IP65 and NEMA4 ratings.

Power supply and precautions:

All VS26 24 V d.c products are designed to be used with a protective extra low voltage (PELV) power supply. All VS26 115 V a.c products correspond to the protection class I. Connection of the protective earth (PE) ground is required.

UL approval:

Recognized to UL 429 for Electrically Operated Valves (not applicable for Industrial Ethernet, IO-Link and Fieldbus options).

ATEX:

The 24 V d.c valve islands fulfils the requirement of the standard 2014/34/EU for intended use in hazardous locations.



Multipole and Industrial Ethernet versions:
II 3G Ex ec IIC T4 Gc
II 3D Ex tc IIIC T135°C Dc

IO-Link
II 3G Ex ec IIC T4 Gc
II 3D Ex tc IIIB T135°C Dc

Fieldbus versions:
II 3G Ex ec IIC T4 Gc
II 3D Ex tc IIIB T135°C Dc

Equipment group, category, type of protection:

The Declaration of Conformity of the valve island was conducted by IMI International s.r.o. Please review all ATEX data and notes in the maintenance and instruction booklet to eliminate any risk, allowing for sage function of the valve island.

Note:





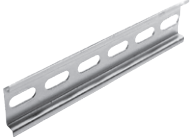




Please refer to the corresponding ATEX installation instructions and the maximum permissible operating conditions for valve islands in the ATES zone.

The maximum allowed power consumption for ATES is 20W. This corresponds to 16 simultaneously energized pilot valves. If a configuration consists of more than 16 pilot valves the user must undertake external actions. (e.g. power-limited power supplies) to make sure that the power consumption of 20W is not exceeded.

This does not apply to IO-Link versions. Up to 40 pilot valves can be separated at IO-Link versions.

Accessories

Electrical Connection and base accessories for Multipole, Fieldbus, IO-Link and Industrial Ethernet

<p>Spare valve identification labels *7)</p>  <p>VS2672905-KG00 (10 pcs.)</p>	<p>Blanking plug for base connector hole *8)</p>  <p>VS2672914-KG00</p>	<p>Blanking disc to modular sub-base</p>  <p>V70522-K00 (Ports 1, 3, 5) V70523-K00 (Port 12/14)</p>	<p>Manual override set-up kit</p>  <p>VS2672906-KG00</p>	<p>DIN EN 50 022 rail (1 m)</p>  <p>V10009-C00 (35x7,5 mm)</p>
<p>DIN-rail mounting kit</p>  <p>V70531-KA0 *9) VS2672971-KG00 *11)</p>	<p>Intermediate supply/exhaust module</p>  <p>Page 18 VS2672902-BG00 (G1/4) VS2672902-RG00 (NPTF 1/4)</p>	<p>Blanking plate</p>  <p>Page 18 VS2672904-KG00 VS2672965-KG00 *12)</p>	<p>Soft start and relief valve</p>  <p>Page 9 VS2672530-KG00 *10) VS2672531-KG00 *12)</p>	

*7) When purchasing assembled valve islands from IMI Norgren, valve identification labels are already included.

*8) When V44/V45 valves are fitted on VS26 bases.


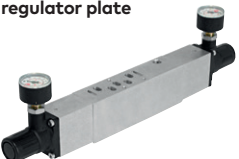



*9) Not suitable for Industrial Ethernet.

*10) Not suitable for IO-Link and Industrial Ethernet.


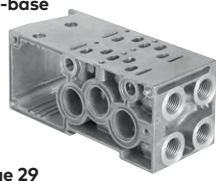
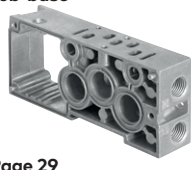
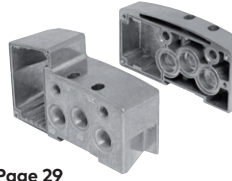
*11) Industrial Ethernet (only)

*12) IO-Link and Industrial Ethernet (only)

Sandwich plates

<p>Single pressure regulator plate</p>  <p>Page 16 VS2672900-KG10 (Port 1) VS2672900-KG20 (Port 2) VS2672900-KG30 (Port 4)</p>	<p>Double pressure regulator plate</p>  <p>Page 16 VS2672900-KG40 (Ports 2+4)</p>	<p>Flow regulator plate</p>  <p>Page 17 VS2672901-KG00 (Ports 3+5)</p>	<p>Sandwich plate with additional pressure port 1</p>  <p>Page 17 VS2672928-KG00 (G1/4) VS2672929-KG00 (NPTF 1/4)</p>	<p>Single valve shut-off plate</p>  <p>Page 19 VS2672903-KG00 (Port 1)</p>
--	---	--	--	--

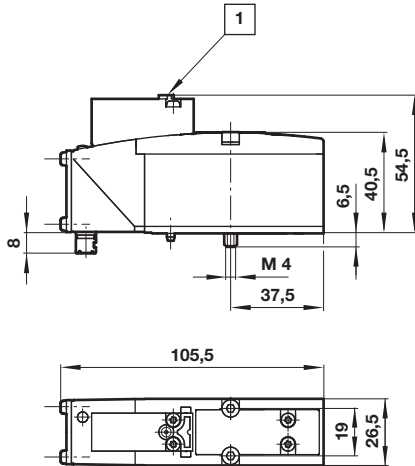
Sub-bases and end plates

<p>Single station sub-base</p>  <p>Page 12</p>	<p>Double station modular sub-base</p>  <p>Page 29</p>	<p>Single station modular sub-base</p>  <p>Page 29</p>	<p>End plate kit</p>  <p>Page 29</p>
---	--	--	---

Valve dimensions

VS26*5*7DF*1**

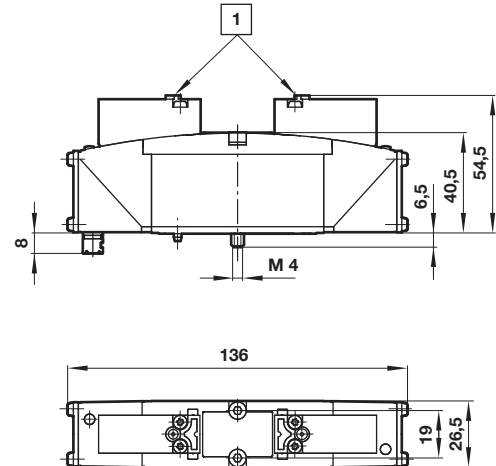
5/2 Single solenoid pilot valve, mechanical spring return



VS26****DF*1**

2 x 2/2, 2 x 3/2, 5/2 and 5/3 Double solenoid pilot valve

Dimensions in mm
Projection/First angle

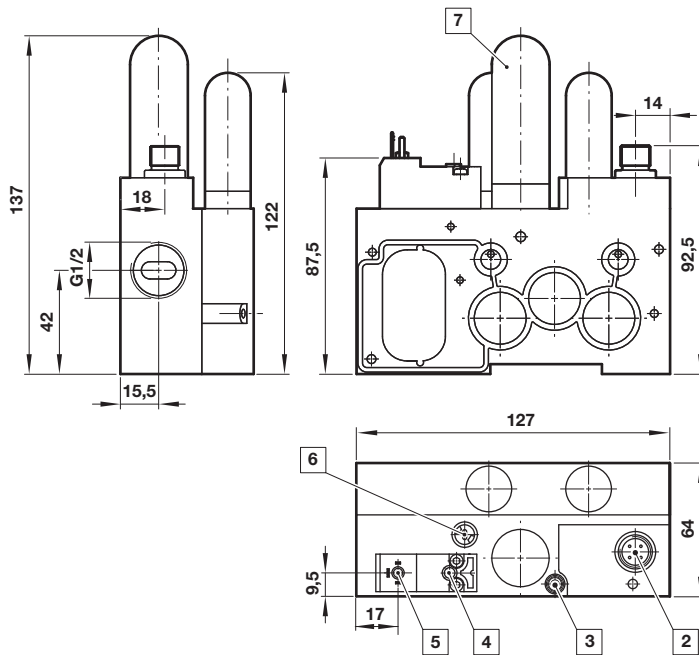


1 Manual override

Soft start and relief valve

VS2672530-KG00 - Fieldbus


VS2672531-KG00 - Industrial Ethernet and IO-Link



- 2 Connector M12 4-pin A-coded (enable signal)
- 3 Regulating screw (six turns maximum)
- 4 Manual override for pilot valve (push only)
- 5 Connector interface acc. EN 175 301-803, form C
- 6 Manual override (push to lock)
- 7 Silencer with bypass


Valve control:

Connector - DIN EN 175 301-803 form C

Male	Pin no.	Function	Tolerance	Max. current
	1	24 V d.c.	±10%	1,2W
	2	0V	-	-
	3	Earth	-	-

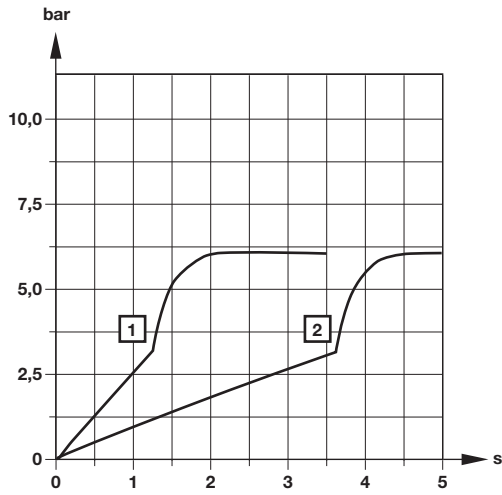
Enable signal:

M12 4-pin A-coded

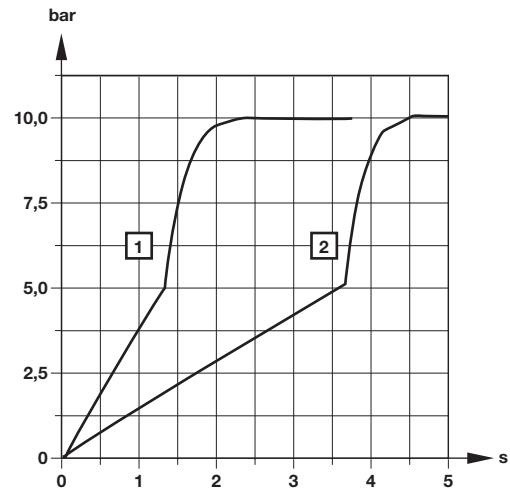
Male	Pin no.	Function	Outlet current
	1	24 V d.c.	-
	2	free	-
	3	0V	-
	4	Outlet (PNP), enable signal	150 mA

Filling and Exhausting curves

Filling curve at 6 bar for 3 liter volume

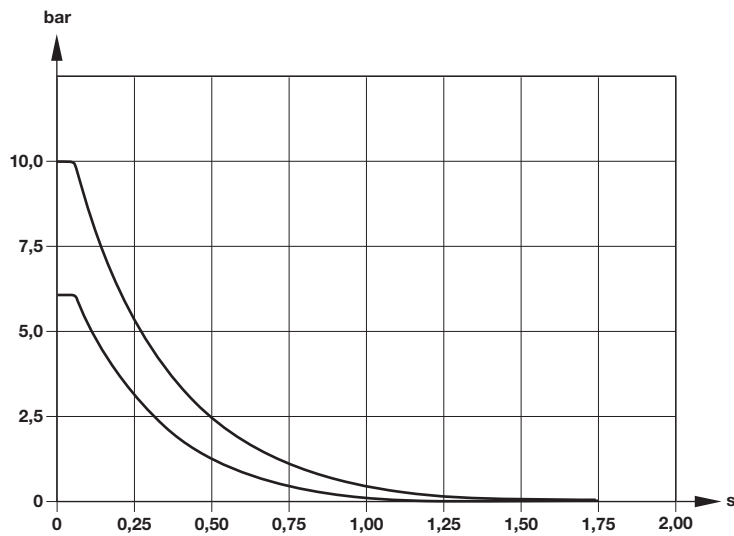


Filling curve at 10 bar for 3 liter volume



- 1 Open regulating screw
- 2 Regulating screw two turns open

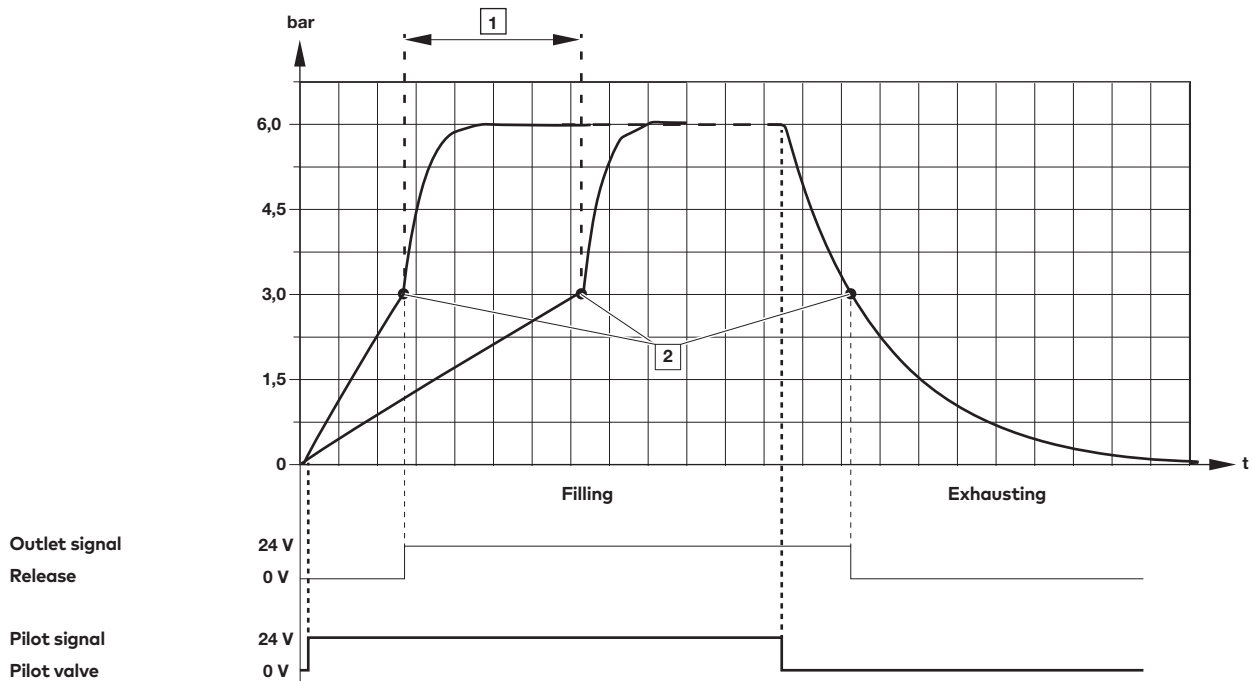
Exhausting curve of 3 liter volume at 6 and 10 bars



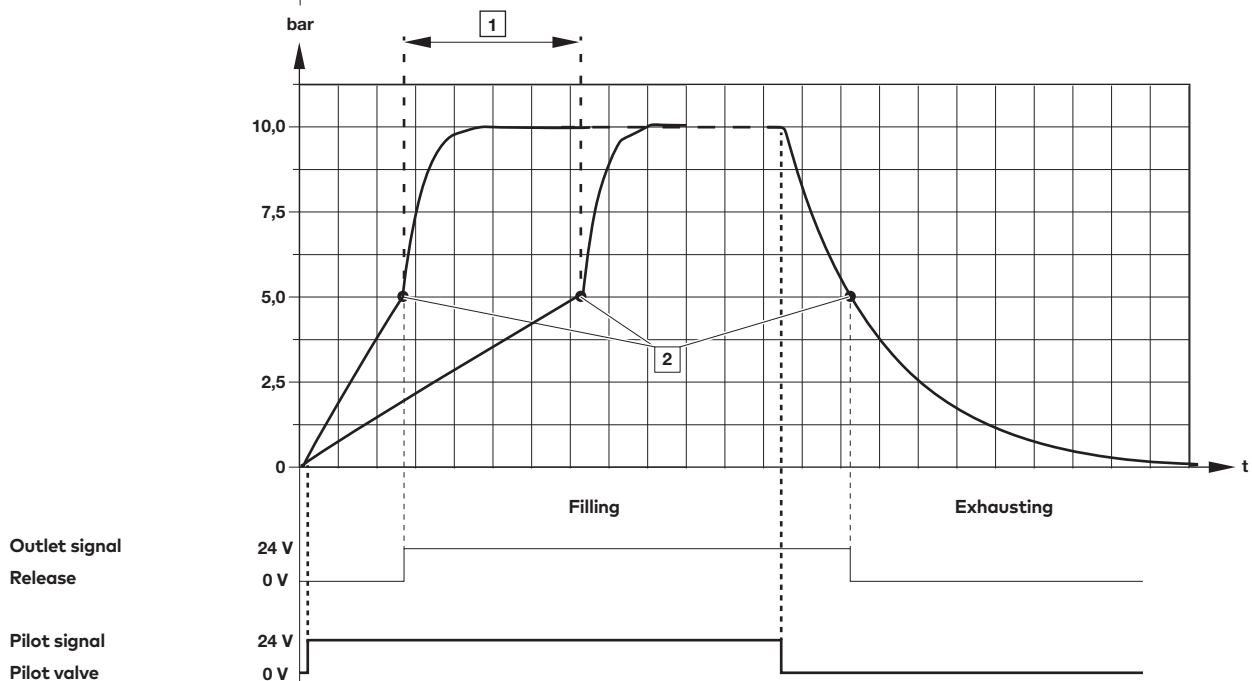
Filling and Exhausting curves

Filling curve at 6 bar for 3 liter volume

Switching conduct at 6 bar supply pressure



Switching conduct at 10 bar supply pressure

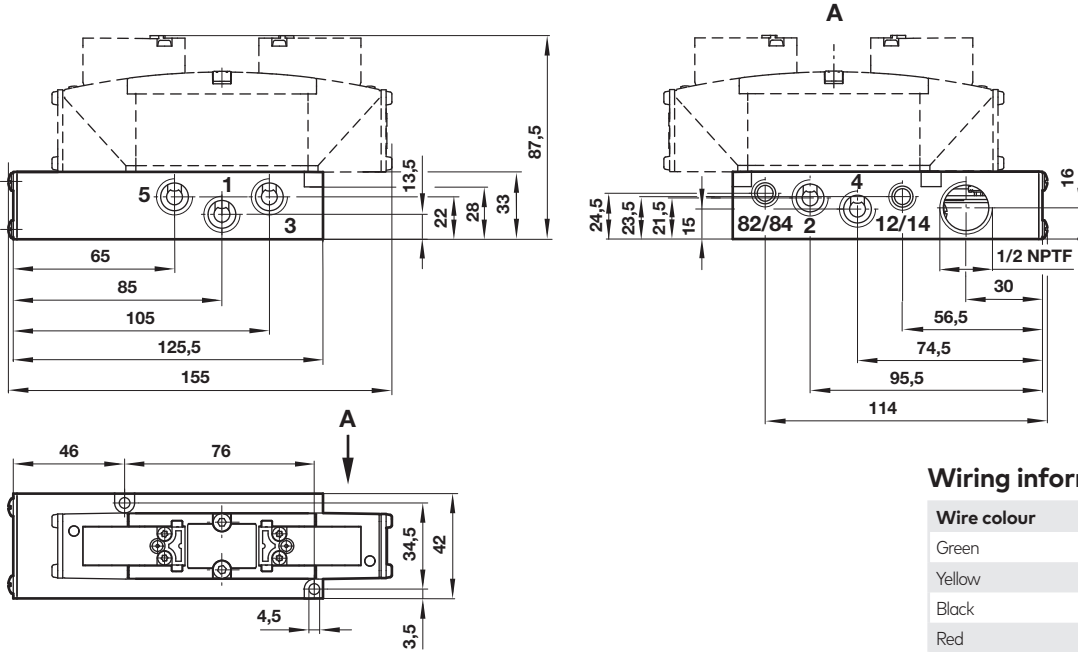


- 1 Depending on the throttle position
- 2 Switch ON and OFF at 50%

Single station sub-base

Description	Ports 1, 3 & 5	Ports 12/14 & 82/84	Ports 2 & 4	Connector type	Model
Single station sub-base for 24 V d.c.	G1/4	G1/8	G1/4	M12	VS2672510-BG00
Single station sub-base for 24 V d.c.	NPTF 1/4	NPTF 1/8	NPTF 1/4	M12	VS2672510-RG00
Single station sub-base for 24 V d.c. and 115 V a.c.	NPTF 1/4	NPTF 1/8	NPTF 1/4	NPTF 1/2 conduit	VS2672511-RG00

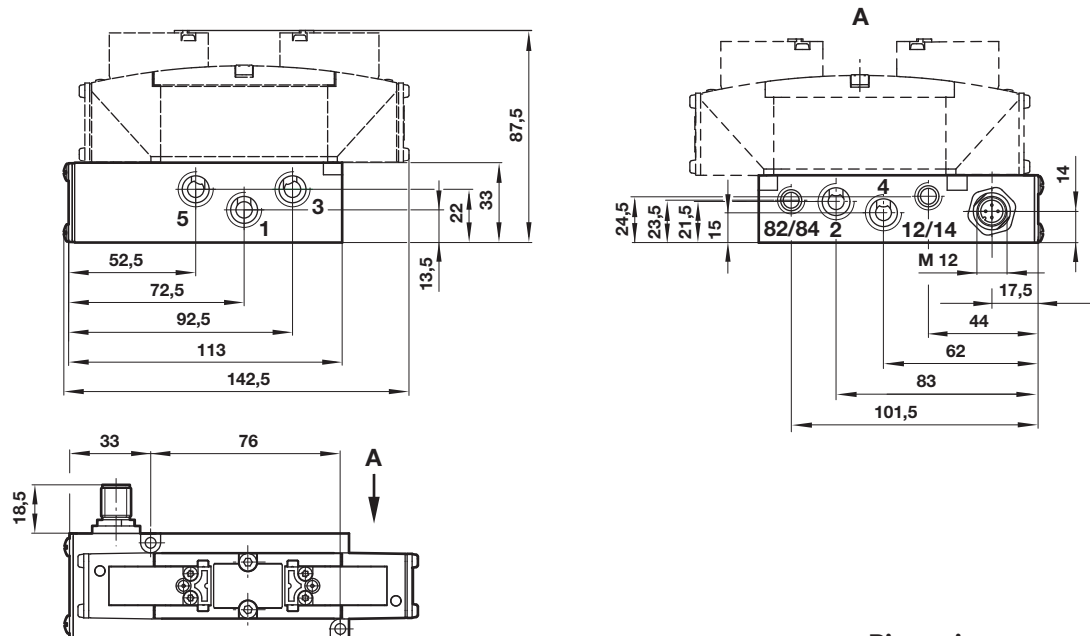
Connector type: NPTF 1/2 conduit with flying leads




Wiring information

Wire colour	Function
Green	Earth
Yellow	Signal for solenoid 12
Black	Common for solenoid 12 and 14
Red	Signal for solenoid 14

Connector type: M12

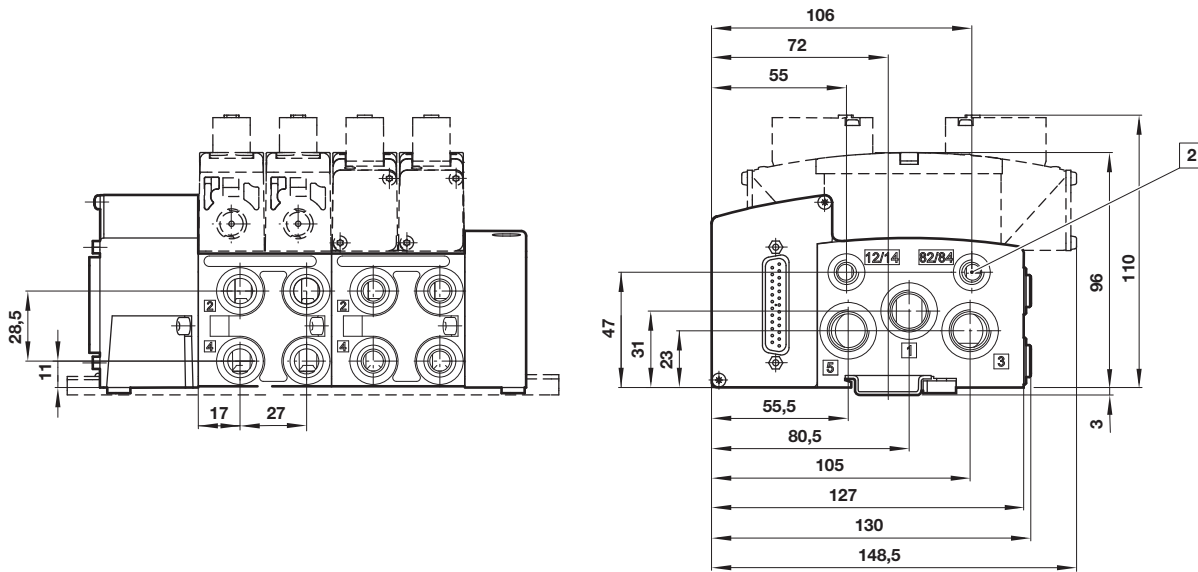


Pin assignment (conforming to DIN ISO 20401)

Male	Pin no.	Function
	1	Not used
	2	Signal for solenoid 12
	3	Common for solenoid 12 and 14
	4	Signal for solenoid 14

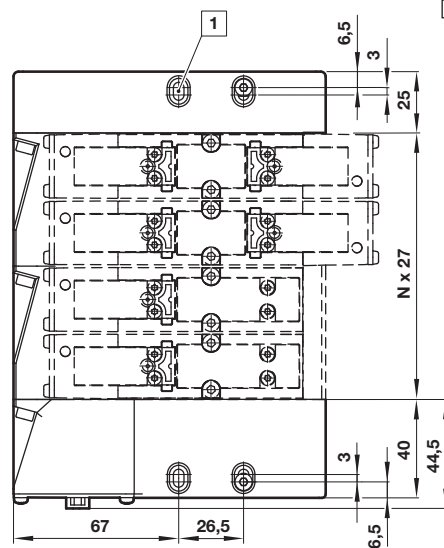
Valve island dimensions - Multipole and Fieldbus
See page 28 and 29 for sub-base and end plate kit ordering information

Dimensions in mm
 Projection/First angle



- 1 Mounting without DIN rail, recommended fixing bolt; M4 x 40 (minimum length)
- 2 Do not plug port 82/84 as this will cause valves malfunction

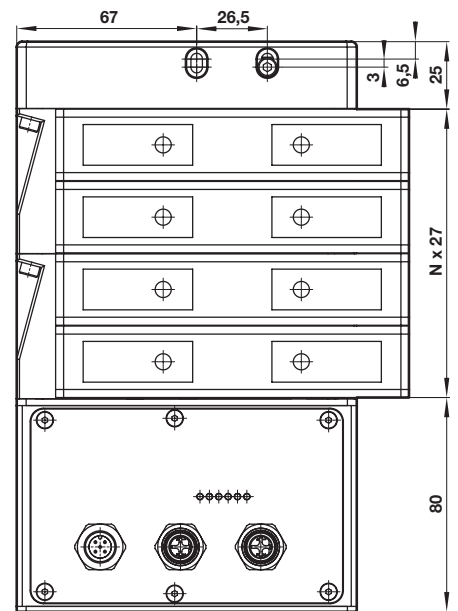
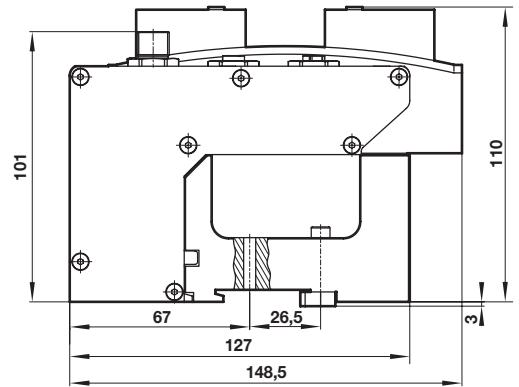
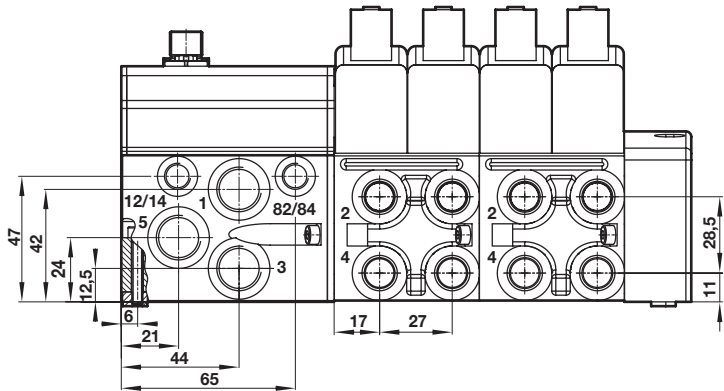
N Number of stations



Electrical connection	Min. no. of valve stations	Max. no. of valve stations	For details see page
Multipole	2	20	20
Fieldbus protocols	4	16	23

Valve island dimensions - Industrial Ethernet
 See page 32 for sub-base and end plate kit ordering information

Dimensions in mm
 Projection/First angle



N Number of stations

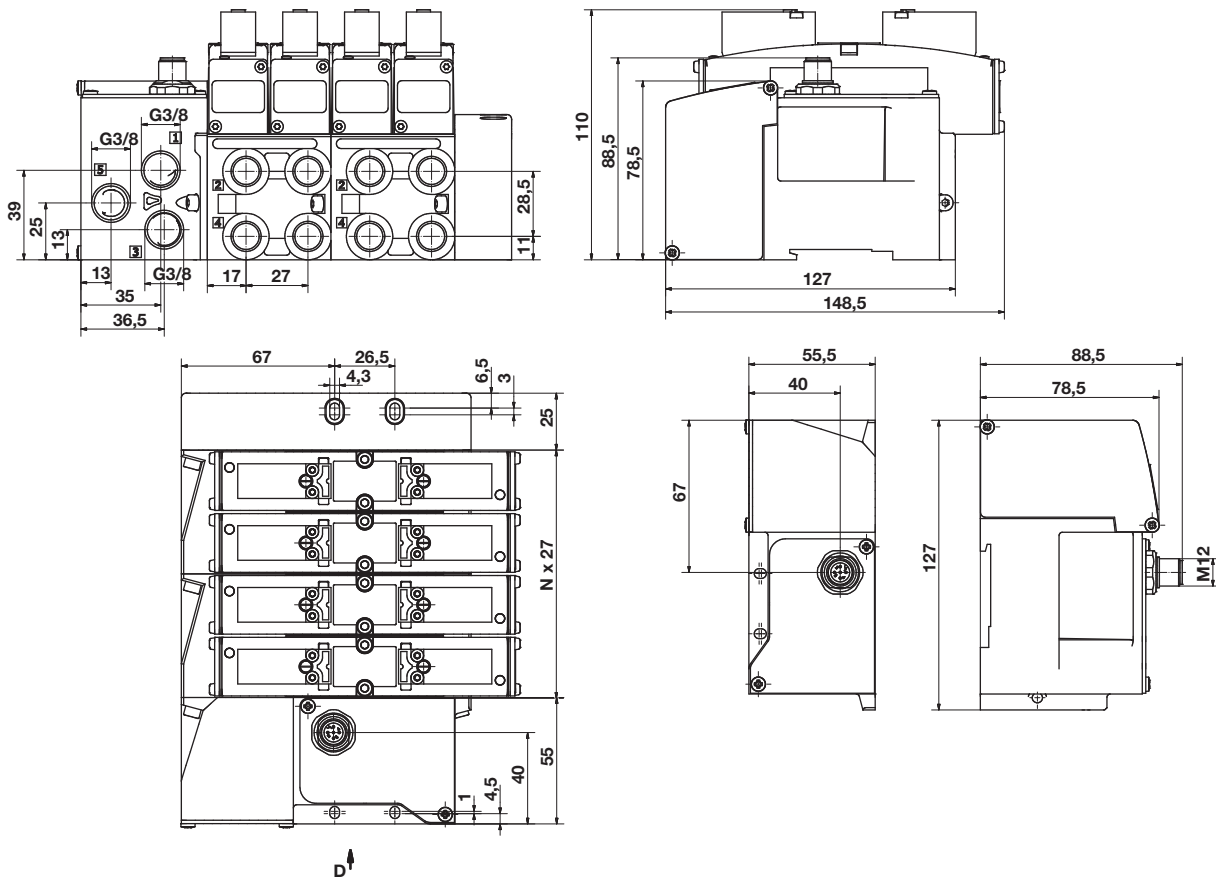
Electrical connection	Min. no. of valve stations	Max. no. of valve stations	For details see page
Industrial Ethernet protocols	4	20	24 and 25

Valve island dimensions - IO-Link

See page 32 for sub-base and end plate kit ordering information

Abmessungen in mm

Projection / First

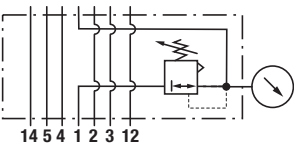
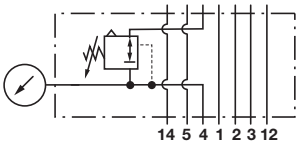
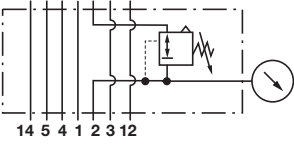
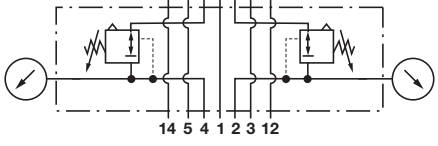


[N] Number of stations

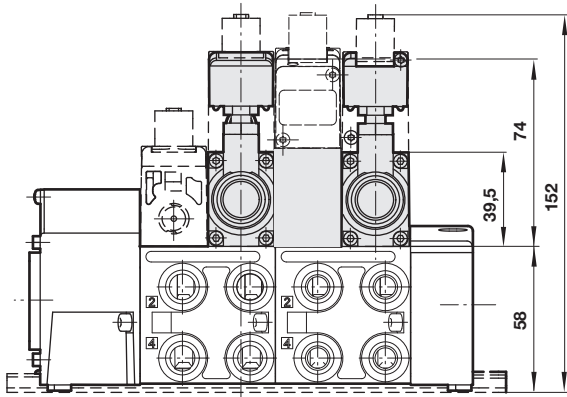
Electrical connection	Min. no. of valve stations	Max. no. of valve stations	For details see page
IO-Link	2	20	26

Sandwich plates

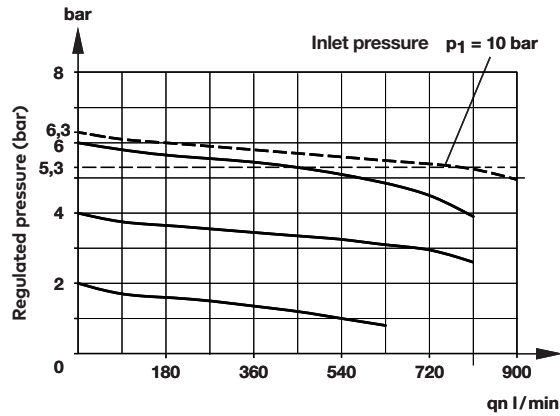
Pressure regulator sandwich plates

Symbol	Model	Description	Symbol	Model	Description
	VS2672900-KG10	Regulation of port 1, regulator on side 12		VS2672900-KG30	Regulation of port 4, regulator on side 14
	VS2672900-KG20	Regulation of port 2, regulator on side 12		VS2672900-KG40	Regulation of ports 2+4

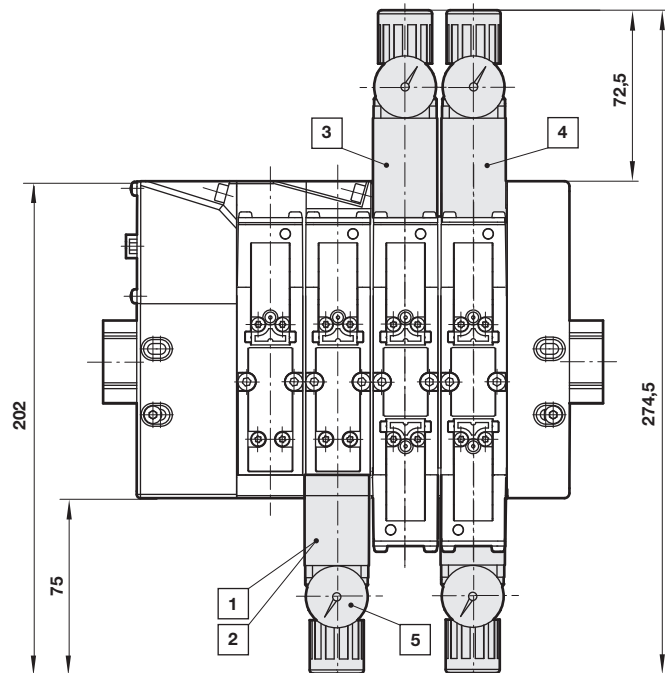
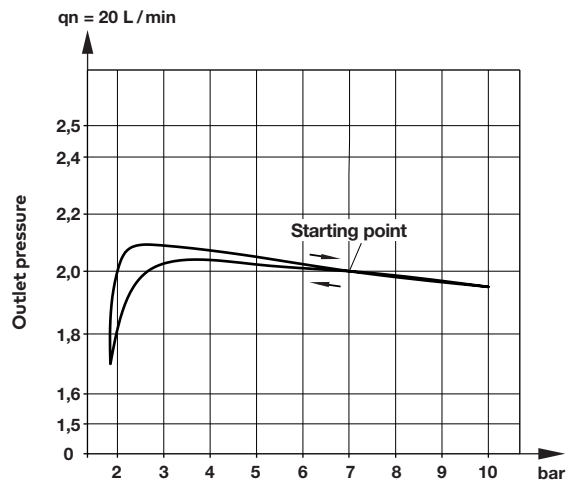
Dimensions in mm
Projection/First angle



Flow characteristics for pressure regulator plates



Hysteresis

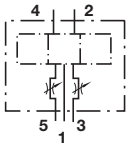


Spare part number for gauge: V70534-500

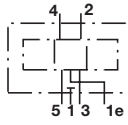
- 1 Regulation of port 1
- 2 Regulation of port 2
- 3 Regulation of port 4
- 4 Regulation of port 2+4
- 5 Gauge

Sandwich plates

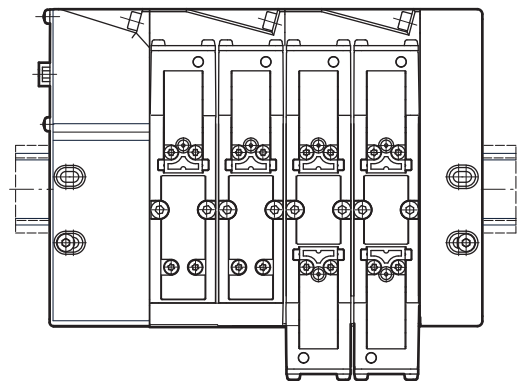
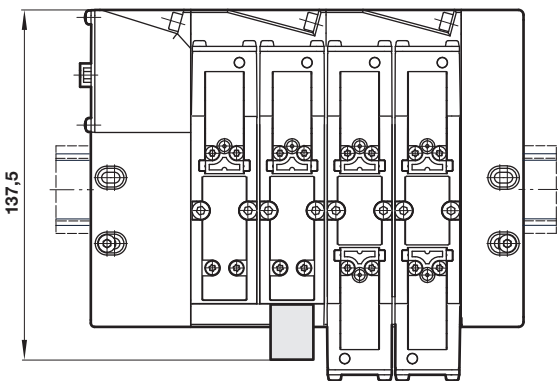
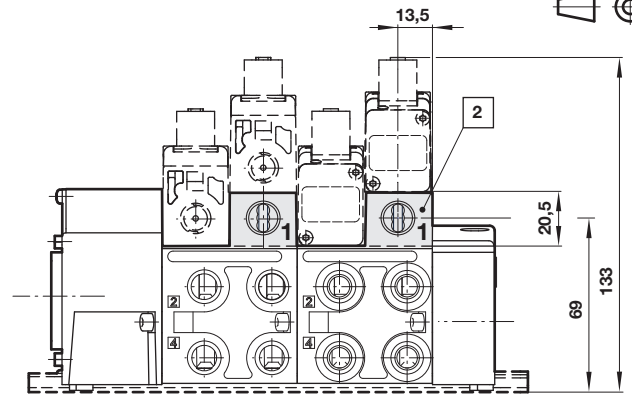
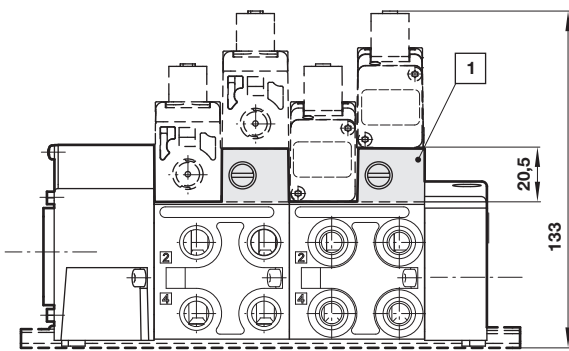
Flow regulator sandwich plate

Symbol	Model	Description
	VS2672901-KG00	Flow regulator supplied with gasket, dual regulation of exhaust ports 3 and 5

Additional pressure port 1 sandwich plate

Symbol	Model	Description
	VS2672928-KG00	Sandwich plate with additional pressure port 1 (G1/4), supplied with gasket
	VS2672929-KG00	Sandwich plate with additional pressure port 1 (1/4 NPTF), supplied with gasket

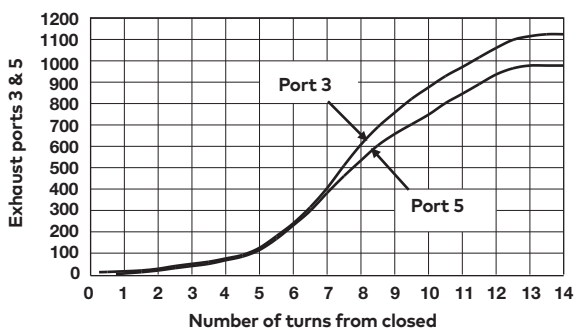
Dimensions in mm
Projection/First angle



- 1 Flow regulator plate
- 2 Sandwich plate with additional pressure port 1

Flow characteristics

Dual regulation of exhaust ports 3 and 5

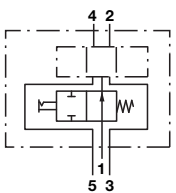


Flow: port 1 > 2 and 1 > 4: remains unchanged.

Flow measured at 6 bar inlet, pressure drop 1 bar

Sandwich plates

Single valve shut-off plate

Symbol	Model	Description
	VS2672903-KG00	Single valve shut-off plate supplied with gasket

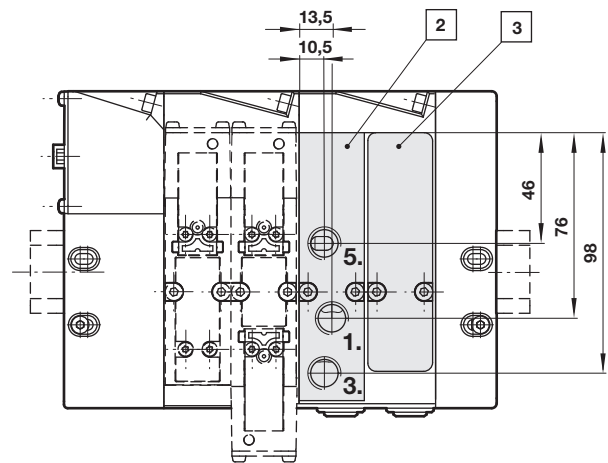
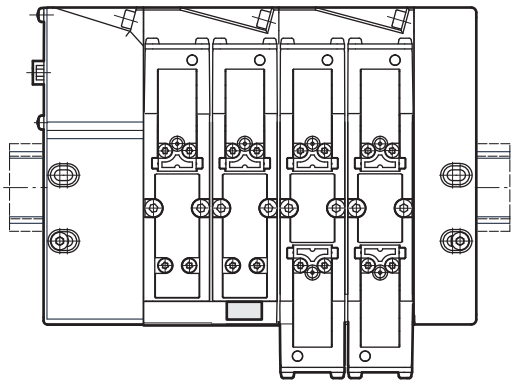
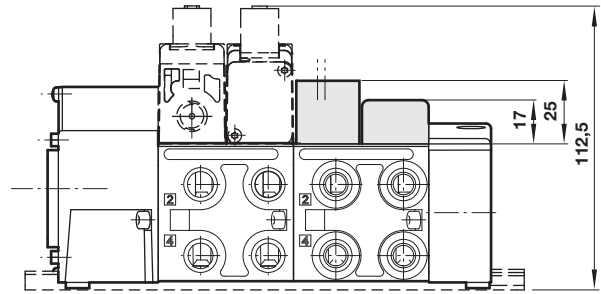
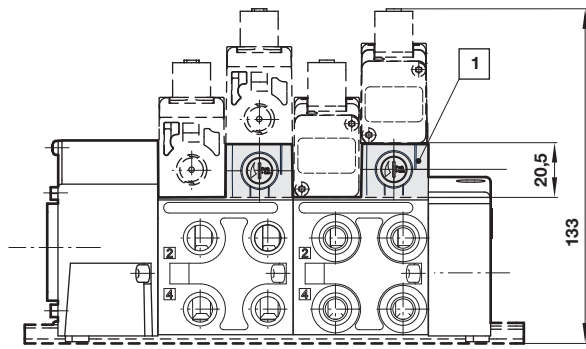
Allows individual exchange of valve while valve island is pressurised by port 1.
Flow restricted to max. 800 l/min.

Sub-base accessories

Model	Description
VS2672902-BG00	Intermediate supply/exhaust module, port size G1/4 *9)
VS2672902-RG00	Intermediate supply/exhaust module, port size NPTF 1/4 *9)
VS2672904-KG00	Blanking plate for blocking of unused stations (supplied with gasket)

*9) for use see page 19

Dimensions in mm
Projection/First angle



- 1 Single valve shut-off plate
- 2 Intermediate supply/exhaust module
- 3 Blanking plate

Multi pressure configurations

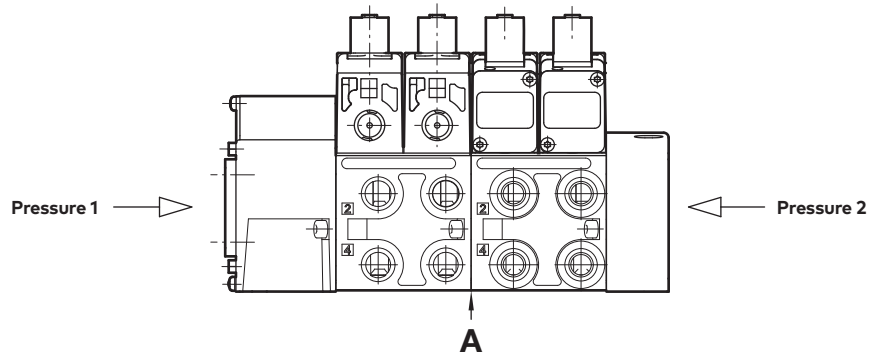
A

Blanking disc	Type
V70522-K00	Suitable for ports 1, 3 and/or 5

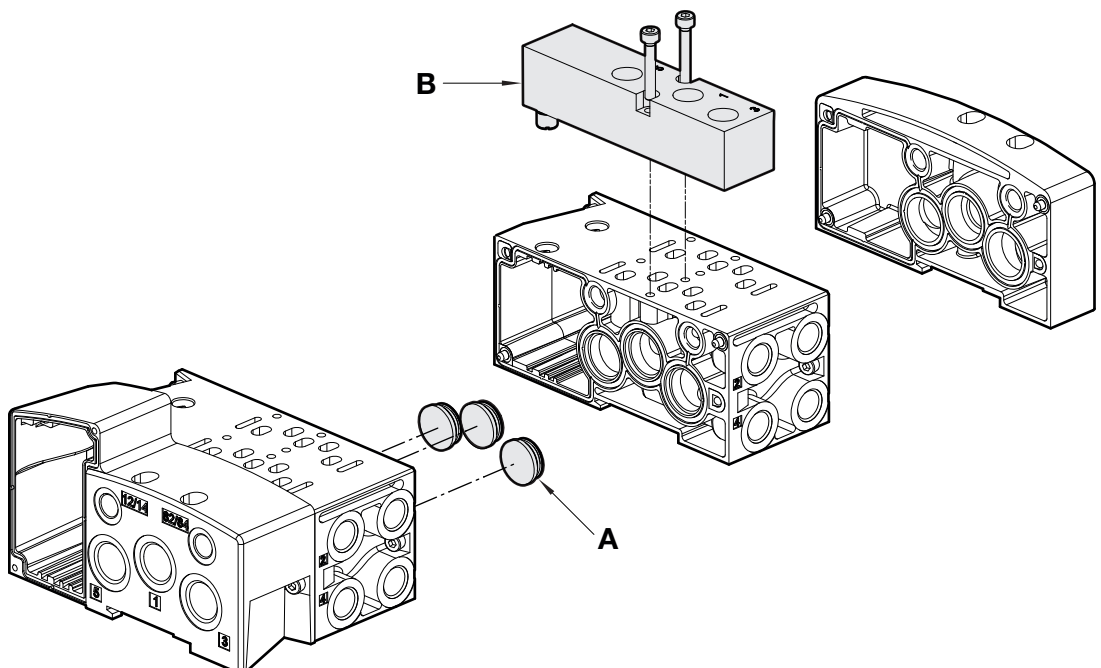
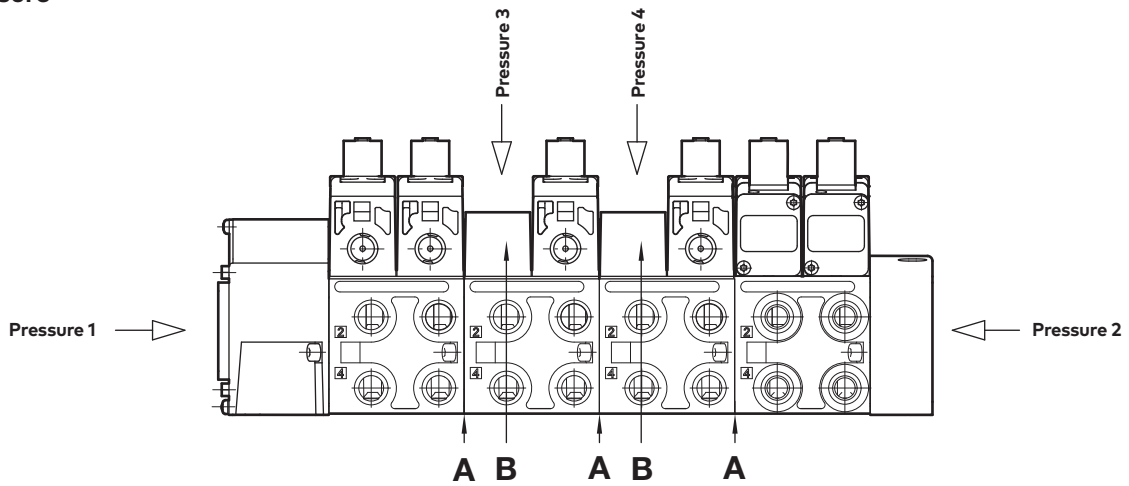
B

Intermediate supply/exhaust module	Type
VS2672902-BG00	G1/4
VS2672902-RG00	NPTF1/4

Dual pressure



Multi pressure

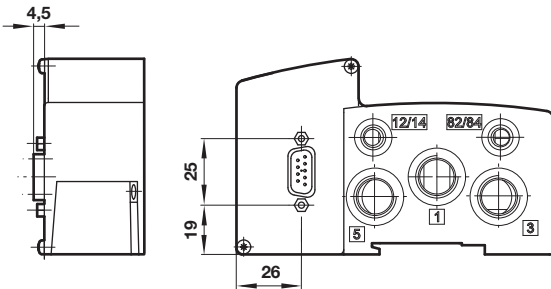


Multipole options

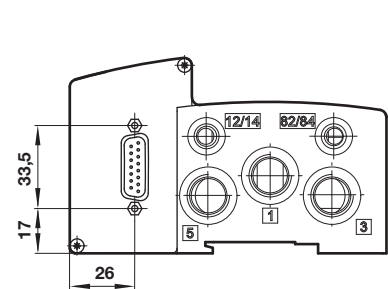
Connector type	Voltage	No. of stations	Max. no. solenoids
D-Sub 9-pin	24 V d.c.	02/03/04	8
D-Sub 15-pin	24 V d.c.	02/03/04/05/06/07	14
D-Sub 25-pin	24 V d.c.	02/03/04/05/06/07/08/09/10/11/12	24
D-Sub 44-pin	24 V d.c.	08/09/10/11/12/13/14/15/16/17/18/19/20	40
M23 19-pin	115 V a.c., 24 V d.c.	02/03/04/05/06/07/08	16
NPTF 1 Conduit entry with terminals	115 V a.c., 24 V d.c.	02/03/04/05/06/07/08/09/10/11/12	24

For valve islands with 17 ... 20 valve stations, please contact our customer service. For details of single parts see pages 28 ... 31.

D-Sub; 9-pin



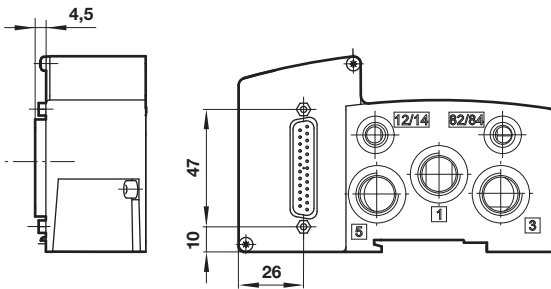
D-Sub; 15-pin



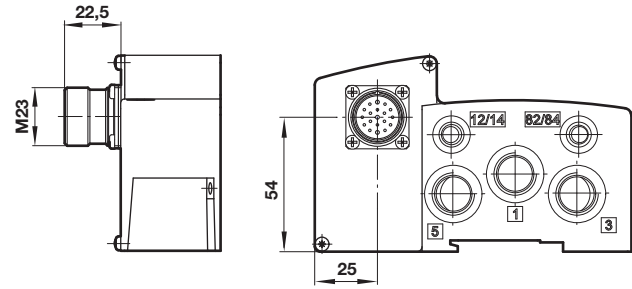
Dimensions in mm
Projection/First angle



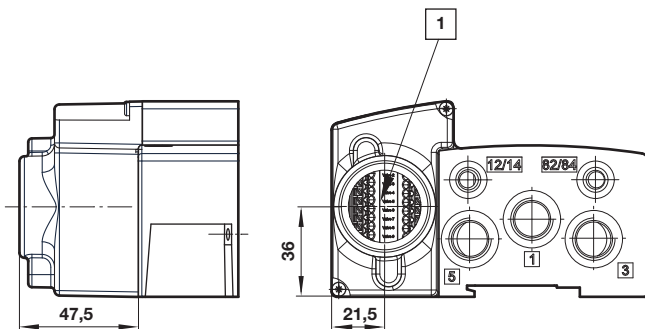
D-Sub, 25-/44-pin



M23; 19-pin



NPTF 1 Conduit entry with terminals



1 Maximum wire size AWG18

Multiple accessories

Cable length	D-Sub connector 9-pin IP65	D-Sub connector 15-pin IP65	D-Sub connector 25-pin IP65	D-Sub connector 44-pin IP65	M23 connector 19-pin IP65
1m	VS2672910-KG00	VS2672915-KG00	V11569-E01	V11570-E01	VS2672943-KG00
3m	VS2672911-KG00	VS2672916-KG00	V11569-E03	V11570-E03	VS2672944-KG00
5m	VS2672912-KG00	VS2672917-KG00	V11569-E05	V11570-E05	VS2672945-KG00

For cable length longer than 5 m please contact customer service.

D-Sub connector 9-pin *11)

Pin no.	Wire colour	Socket	Pilot	Station
1	White	Solenoid 1-a	14	1
2	Brown	Solenoid 2-a	14	2
3	Green	Solenoid 3-a	14	3
4	Yellow	Solenoid 4-a	14	4
5	Grey	Solenoid 1-b	12	1
6	Pink	Solenoid 2-b	12	2
7	Blue	Solenoid 3-b	12	3
8	Red	Solenoid 4-b	12	4
9	Black	Common	-	-

D-Sub connector 15-pin *11)

Pin no.	Wire colour	Socket	Pilot	Station
1	White	Solenoid 1-a	14	1
2	Brown	Solenoid 2-a	14	2
3	Green	Solenoid 3-a	14	3
4	Yellow	Solenoid 4-a	14	4
5	Grey	Solenoid 5-a	14	5
6	Pink	Solenoid 6-a	14	6
7	Blue	Solenoid 7-a	14	7
8	Red	Solenoid 1-b	12	1
9	Black	Solenoid 2-b	12	2
10	Violet	Solenoid 3-b	12	3
11	Grey/Pink	Solenoid 4-b	12	4
12	Red/Blue	Solenoid 5-b	12	5
13	White/Green	Solenoid 6-b	12	6
14	Brown/Green	Solenoid 7-b	12	7
15	White/Yellow	Common	-	-

D-Sub connector 25-pin *11)

Pin no.	Wire colour	Socket	Pilot	Station
1	White	Solenoid 1-a	14	1
2	Brown	Solenoid 2-a	14	2
3	Green	Solenoid 3-a	14	3
4	Yellow	Solenoid 4-a	14	4
5	Grey	Solenoid 5-a	14	5
6	Pink	Solenoid 6-a	14	6
7	Blue	Solenoid 7-a	14	7
8	Red	Solenoid 8-a	14	8
9	Black	Solenoid 9-a	14	9
10	Violet	Solenoid 10-a	14	10
11	Grey/Pink	Solenoid 11-a	14	11
12	Red/Blue	Solenoid 12-a	14	12
13	White/Green	Common	-	-
14	Brown/Green	Solenoid 1-b	12	1
15	White/Yellow	Solenoid 2-b	12	2
16	Yellow/Brown	Solenoid 3-b	12	3
17	White/Grey	Solenoid 4-b	12	4
18	Grey/Brown	Solenoid 5-b	12	5
19	White/Pink	Solenoid 6-b	12	6
20	Pink/Brown	Solenoid 7-b	12	7
21	White/Blue	Solenoid 8-b	12	8
22	Brown/Blue	Solenoid 9-b	12	9
23	White/Red	Solenoid 10-b	12	10
24	Brown/Red	Solenoid 11-b	12	11
25	White/Black	Solenoid 12-b	12	12

*11) Conforming to IEC60757

D-Sub connector; 44-pin *11)

Pin no.	Wire colour	Socket	Pilot	Station
1	White	Solenoid 1-a	14	1
2	Brown	Solenoid 2-a	14	2
3	Green	Solenoid 3-a	14	3
4	Yellow	Solenoid 4-a	14	4
5	Grey	Solenoid 5-a	14	5
6	Pink	Solenoid 6-a	14	6
7	Blue	Solenoid 7-a	14	7
8	Red	Solenoid 8-a	14	8
9	Black	Solenoid 9-a	14	9
10	Violet	Solenoid 10-a	14	10
11	Grey/Pink	Solenoid 11-a	14	11
12	Red/Blue	Solenoid 12-a	14	12
13	White/Green	Solenoid 13-a	14	13
14	Brown/Green	Solenoid 14-a	14	14
15	White/Yellow	Solenoid 15-a	14	15
16	Yellow/Brown	Solenoid 1-b	12	1
17	White/Grey	Solenoid 2-b	12	2
18	Grey/Brown	Solenoid 3-b	12	3
19	White/Pink	Solenoid 4-b	12	4
20	Pink/Brown	Solenoid 5-b	12	5
21	White/Blue	Solenoid 6-b	12	6
22	Brown/Blue	Solenoid 7-b	12	7
23	White/Red	Solenoid 8-b	12	8
24	Brown/Red	Solenoid 9-b	12	9
25	White/Black	Solenoid 10-b	12	10
26	Brown/Black	Solenoid 11-b	12	11
27	Grey/Green	Solenoid 12-b	12	12
28	Yellow/Grey	Solenoid 13-b	12	13
29	Pink/Green	Solenoid 14-b	12	14
30	Yellow/Pink	Solenoid 15-b	12	15
31	Green/Blue	Solenoid 16-a	14	16
32	Yellow/Blue	Solenoid 16-b	12	16
33	-	NOT USED	-	-
34	-	NOT USED	-	-
35	-	NOT USED	-	-
36	-	NOT USED	-	-
37	-	NOT USED	-	-
38	-	NOT USED	-	-
39	-	NOT USED	-	-
40	-	NOT USED	-	-
41	-	NOT USED	-	-
42	-	NOT USED	-	-
43	Blue/Black *12)	Common	-	-
44	Red/Black *12)	Common	-	-

*11) Conforming to IEC60757

*12) The Norgren D-Sub 44-pin cables (see part numbers on page 21) do not have 44 wires, but only 34 wires. Therefore, the wires associated with pins 1 through 32 are according to DIN 47100, wires 43 and 44 differ from the standard and are coloured in green/black and yellow/black.

M23 connector; 19-pin

Pin no.	Wire colour	Socket	Pilot	Station
1	White	Solenoid 8-a	14	8
2	Green/Brown	Solenoid 6-a	14	6
3	Green	Solenoid 4-a	14	4
4	Yellow	Solenoid 2-b	12	2
5	Grey	Solenoid 2-a	14	2
6	Blue (thick)	Common	-	-
7	White/Grey	Solenoid 1-b	12	1
8	Red	Solenoid 3-b	12	3
9	Black	Solenoid 5-b	12	5
10	Violet	Solenoid 7-b	12	7
11	Grey/Pink	Solenoid 7-a	14	7
12	Yellow/Green	Earth	-	-
13	White/Green	Solenoid 6-b	12	6
14	Brown/Green	Solenoid 4-b	12	4
15	White/Yellow	Solenoid 1-a	14	1
16	Yellow/Brown	Solenoid 3-a	14	3
17	Pink	Solenoid 5-a	14	5
18	Red/Blue	Solenoid 8-b	12	8
19	Brown (thick)	NOT USED	-	-

NPTF 1 Conduit entry with terminals *13)

Pin no.	Socket	Pilot	Station
C1	Solenoid 1-a	14	1
C2	Solenoid 2-a	14	2
C3	Solenoid 3-a	14	3
C4	Solenoid 4-a	14	4
C5	Solenoid 5-a	14	5
C6	Solenoid 6-a	14	6
C7	Solenoid 7-a	14	7
C8	Solenoid 8-a	14	8
C9	Solenoid 9-a	14	9
C10	Solenoid 10-a	14	10
C11	Solenoid 11-a	14	11
C12	Solenoid 12-a	14	12
C13	Solenoid 1-b	12	1
C14	Solenoid 2-b	12	2
C15	Solenoid 3-b	12	3
C16	Solenoid 4-b	12	4
C17	Solenoid 5-b	12	5
C18	Solenoid 6-b	12	6
C19	Solenoid 7-b	12	7
C20	Solenoid 8-b	12	8
C21	Solenoid 9-b	12	9
C22	Solenoid 10-b	12	10
C23	Solenoid 11-b	12	11
C24	Solenoid 12-b	12	12
C25	Common	-	-
C26	Common	-	-
C27	Earth	-	-
C28	Earth	-	-

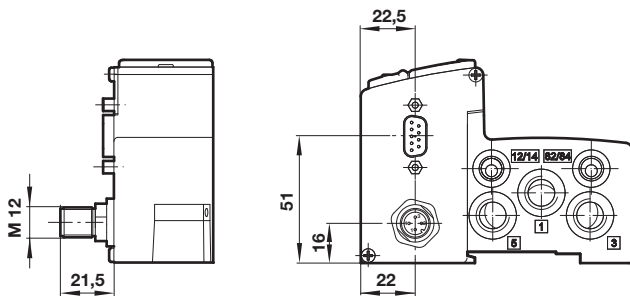
*13) Max.wire size AWG18

Fieldbus, IO-Link and Industrial Ethernet options: Overview

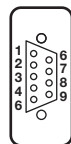
Protocol	Communications Connector	Power connector	No. of stations	Max. no. solenoids
PROFIBUS DP	1 x D-Sub; 9-pin	M12; 4-pin	04/05/06/07/08/09/10/11/12/13/14/15/16	32
	2 x M12; 5-pin	M12; 4-pin	04/05/06/07/08/09/10/11/12/13/14/15/16	32
	2 x M12; 5-pin	7/8; 5-pin	04/05/06/07/08/09/10/11/12/13/14/15/16	32
PROFINET IRT	2 x M12; 4-pin	M12; 5-pin	04/06/08/10/12/14/16/18/20	40
DeviceNet	1 x M12; 5-pin	M12; 4-pin	04/05/06/07/08/09/10/11/12/13/14/15/16	32
EtherNet/IP	2 x M12; 4-pin	M12; 5-pin	04/06/08/10/12/14/16/18/20	40
CANopen	1 x M12; 5-pin	M12; 4-pin	04/05/06/07/08/09/10/11/12/13/14/15/16	32
IO-Link	1 x M12; 5-pin	integrated in M12; 5-pin	02/04/06/08/10/12/14/16/18/20	40

For parts and assembly instructions of Fieldbus and Industrial Ethernet components, consult our technical service.


Fieldbus protocol: PROFIBUS DP Connector: 1 x D-Sub 9-pin / 1 x M12 4-pin



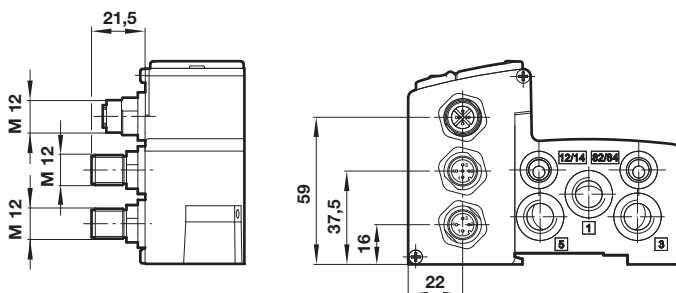
Bus connector: D-Sub 9-pin

Female Bus in/out	Pin no.	Function
	1	Shield
	2	N/C
	3	B-line (red) RxD / TxD-P
	4	N/C
	5	DGND (0V) isolated
	6	VP (5V) isolated
	7	N/C
	8	A-line (green) RxD / TxD-NN/C
	9	N/C


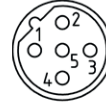
Power connector: M12 4-pin A-coded

Male	Pin no.	Function	Tolerance	Max. current
	1	24 VB logic circuit supply	±25%	300 mA
	2	24 VA valves	±10%	*14)
	3	0 V	-	*15)
	4	Earth	-	-


Fieldbus protocol: PROFIBUS DP Connector: 2 x M12 5-pin / 1 x M12 4-pin



Bus connector: M12 5-pin B-coded

Male Bus in	Female Bus out	Pin no.	Function
		1	5 V Opto isolator
		2	A-line (green)
		3	0 V Opto isolated
		4	B-line (red)
		5	Shield
		Threaded joint	Shield

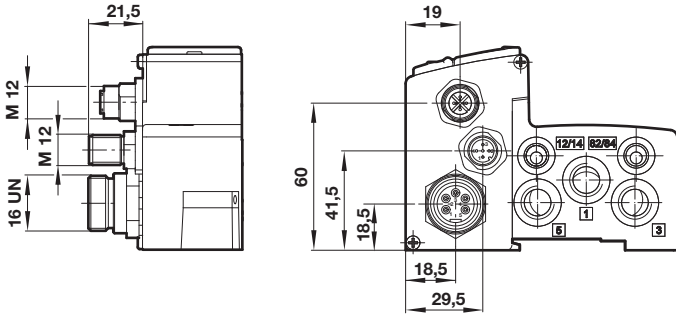
Power connector: M12 4-pin A-coded

Male	Pin no.	Function	Tolerance	Max. current
	1	24 VB logic circuit supply	±25%	300 mA
	2	24 VA valves	±10%	*14)
	3	0 V	-	*15)
	4	Earth	-	-



*14) $I_{max} = 10 \text{ mA} + n \cdot 60 \text{ mA}$
n = number of energized solenoids

*15) $I_{max} = I_{VA} + I_{VB}$


Fieldbus protocol: PROFIBUS DP
Connector: 2 x M12 5-pin / 1 x 7/8 5-pin



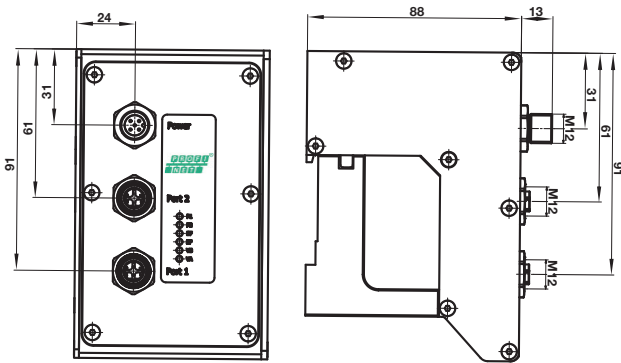
Bus connector: M12 5-pin B-coded

Male Bus in	Female Bus out	Pin no.	Function
		1	SVI isolated
		2	A-line (green)
		3	OVI isolated
		4	B-line (red)
		5	Shield
		Threaded joint	Shield


Power connector: 7/8 5-pin

Male	Pin no.	Function	Tolerance	Max. current
	1	-	-	-
	2	0V	-	*17)
	3	Earth	-	-
	4	24 VA valves	±10%	*16)
	5	24 VB logic circuit supply	±25%	300 mA


Industrial Ethernet protocol: PROFINET IRT
Connector: 2 x M12 4-pin / 1 x M12 5-pin



Bus connector: M12 4-pin D-coded

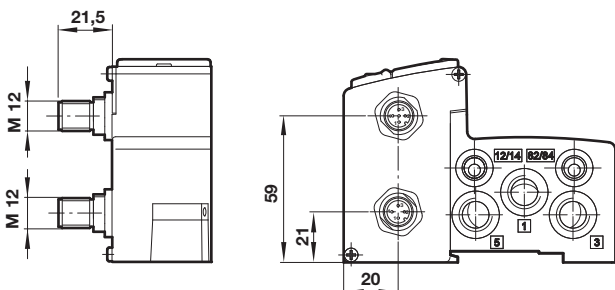
Female	Pin no.	Function
	1	Transmission data + (TD +)
	2	Receive data + (RD+)
	3	Transmission data - (TD-)
	4	Receive data - (RD-)
	Housing	FE (functional earth)

Power connector: M12 5-pin A-coded


Male	Pin no.	Function	Tolerance	Max. current
	1	L1 (VB+) 24 V electronics power supply	30%	max. 250 mA
	2	N2 (VA-) 0V valves power supply	-	-
	3	N1 (VB-) 0V electronics power supply	-	-
	4	L2 (VA+) 24 V valves power supply	10%	max. 25 mA + 70 mA x n
	5	FE (functional earth)	-	-

(n = number of switched valves)


Fieldbus protocol: DeviceNet
Connector: 1 x M12 5-pin / 1 x M12 4-pin

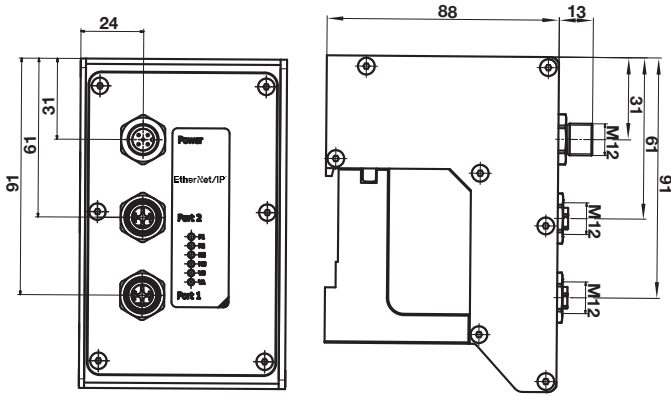



Bus connector: M12 5-pin A-coded

Male Bus in/out	Pin no.	Function	Tolerance	Max. current
	1	Drain	-	-
	2	V+ 24 V *22)	±25%	200mA
	3	V- 0 V *22)	-	-
	4	CAN_H	-	-
	5	CAN_L	-	-


Power connector: M12 4-pin A-coded

Male	Pin no.	Function	Tolerance	Max. current
	1	-	-	-
	2	24 VA valves	±10%	*20)
	3	0 V	-	*21)
	4	Earth	-	-

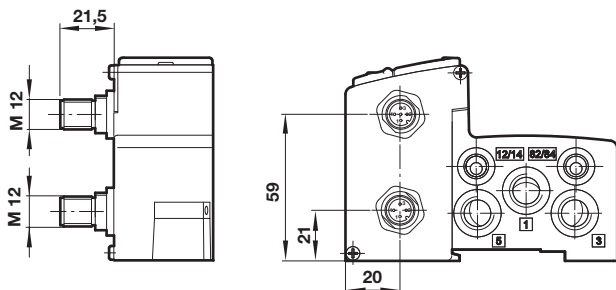
Industrial Ethernet protocol: EtherNet/IP
Connector: 2 x M12 4-pin / 1 x M12 5-pin

Bus connector: M12 4-pin D-coded


Female	Pin no.	Function
	1	Transmission data + (TD +)
	2	Receive data + (RD+)
	3	Transmission data - (TD-)
	4	Receive data - (RD-)
	Housing	FE (functional earth)

Power connector: M12 5-pin A-coded


Male	Pin no.	Function	Tolerance	Max. current
	1	L1 (VB+) 24 V electronics power supply	30%	max. 250 mA
	2	N2 (VA-) 0V valves power supply	-	-
	3	N1 (VB-) 0V electronics power supply	-	-
	4	L2 (VA+) 24 V valves power supply	10%	max. 25 mA + 70 mA x n
	5	FE (functional earth)	-	-

(n = number of switched valves)

Fieldbus protocol: CANopen
Connector: 1 x M12 5-pin / 1 x M12 4-pin

Bus connector: M12 5-pin A-coded

Male Bus in/out	Pin no.	Function	Tolerance	Max. current
	1	Drain	-	-
	2	V+ 24 V *22)	±25%	200mA
	3	V- 0 V *22)	-	-
	4	CAN_H	-	-
	5	CAN_L	-	-

Power connector: M12 4-pin A-coded

Male	Pin no.	Function	Tolerance	Max. current
	1	-	-	-
	2	24 VA valves	±10%	*20)
	3	0V	-	*21)
	4	Earth	-	-

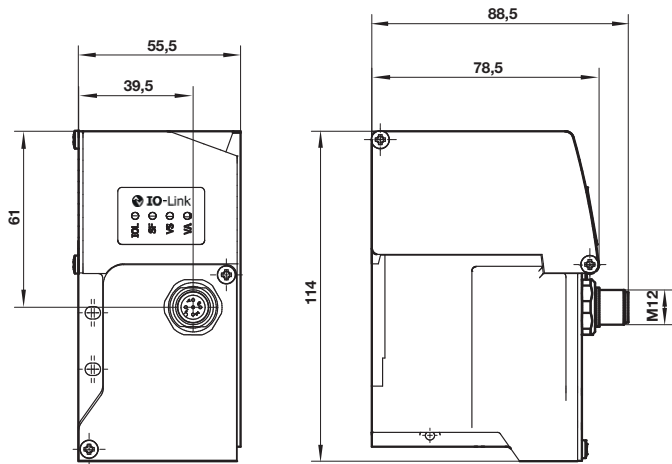
*20) $I_{max} = 10 \text{ mA} + n \cdot 60 \text{ mA}$


*21) $I_{max} = I_{VA} + I_{VB}$

*22) Must be galvanic isolated to 24 VA valves

n = number of energized solenoids







**IO-Link (Port Class B):
Connector: 1 x M12 5-pin**

Connector: M12 5-pin A-coded



Male	Pin no.	Function	Tolerance	Max. current
	1	L+ (VS+) 24V electronics power supply	30%	max. 250 mA
	2	2L+ (VA+) 24V valves power supply	10%	max 25 mA + 70 mA x n
	3	L- (VS-) 0V electronics power supply		
	4	C/Q IO-Link communication		
	5	2M (VA-) 0V valves power supply		

n = number of energized solenoids

Fieldbus accessories

Fieldbus power connector	Description	Connection	Cable length	Protection class	Model
	PROFIBUS DP (4-pin, female) DeviceNet (4-pin, female) CANopen (4-pin, female)	M12	Wireable	IP65	V11588-E01
	PROFIBUS DP (5-pin, female)	7/8	Wireable	IP65	VS2672907-KG00
Communication cable and connector					
	DeviceNet (5-pin, female) CANopen (5-pin, female)	M12	Wireable	IP65	V11589-E01
	PROFIBUS DP, reverse keyway (5-pin, female)	M12	Wireable	IP65	V11590-E01
	PROFIBUS DP, reverse keyway (5-pin, male)	M12	Wireable	IP65	V11591-E01
	PROFIBUS DP connector (9-pin, male) with terminating resistor	D-Sub	Wireable	IP40	V11654-E01
	PROFIBUS DP terminating resistor (male)	M12	-	IP65	V11592-E01

Industrial Ethernet accessories

Industrial Ethernet power connector	Description	Connection	Cable length	Protection class	Model
	Industrial Ethernet power connector (5-pin, female)	M12	Wireable	IP65	V11589-E01

Industrial Ethernet - Cable and Connectors

Bus cable: 4-pin D-coded M12 - M12



Model	Cable length (m)
NC-124MS-1244SGA	0,5
NC-124MS-1244SG2	2,0
NC-124MS-1244SG5	5,0

Bus cable: 4-pin D-coded M12 - flying lead



Model	Cable length (m)
NC-124MS-00000G2	2,0
NC-124MS-00000G5	5,0

Bus connector RJ45 Wireable



NC-RJ450-00000000

Power cable: 5-pin A-coded M12 - flying lead



Model	Cable length (m)
NC-125FS-00000-5	5,0

IO-Link - Cables

Cable 5-pin A-code M12 - M12



Model	Cable length (m)
NC-125FS-125MS-A	0,6
NC-125FS-125MS-1	1,0
NC-125FS-125MS-2	2,0
NC-125FS-125MS-5	5,0

Cable 5-pin A-code M12 - flying lead



Model	Cable length (m)
NC-125FS-00000-5	5,0

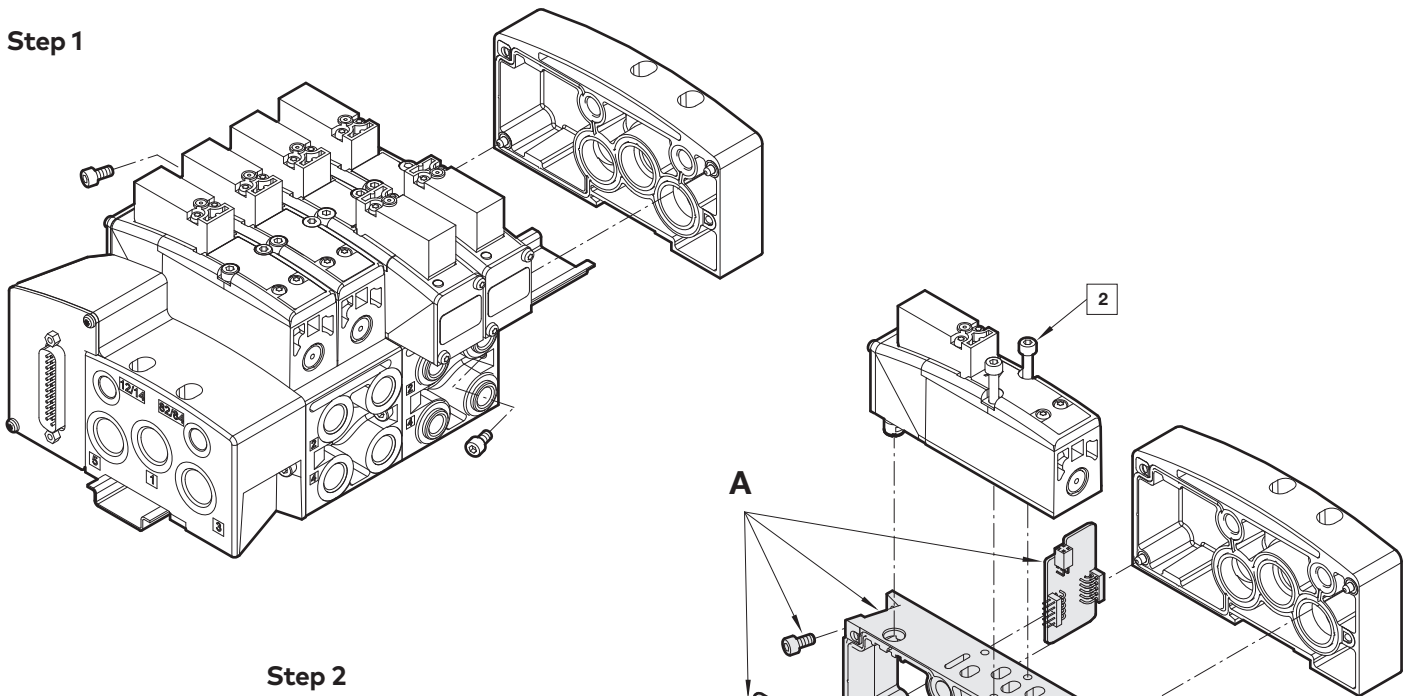
Multipole and Fieldbus component parts

A – Single add-on stations including PCB, sub-base, gasket and screws

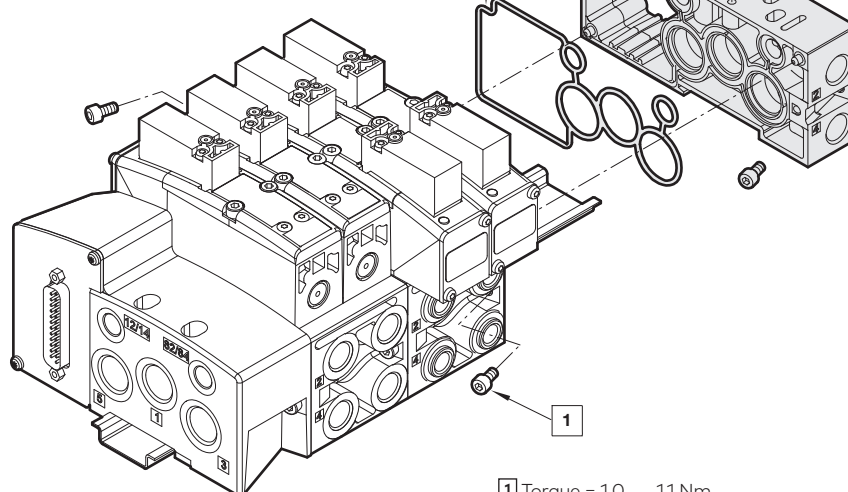
Ports 2 & 4	Description	Model
G1/4	Add-on station for D-Sub connectors and Fieldbus	VS2672504-BGFO
NPTF 1/4	Add-on station for D-Sub connectors and Fieldbus	VS2672504-RGFO
PIF 6 mm	Add-on station for D-Sub connectors and Fieldbus	VS2672504-YGFO
PIF 8 mm	Add-on station for D-Sub connectors and Fieldbus	VS2672504-8GFO
PIF 3/8	Add-on station for D-Sub connectors and Fieldbus	VS2672504-2GFO
G1/4	Add-on station for Conduit entry and M23 connector	VS2672505-BGFO
NPTF 1/4	Add-on station for Conduit entry and M23 connector	VS2672505-RGFO
PIF 6 mm	Add-on station for Conduit entry and M23 connector	VS2672505-YGFO
PIF 8 mm	Add-on station for Conduit entry and M23 connector	VS2672505-8GFO
PIF 3/8	Add-on station for Conduit entry and M23 connector	VS2672505-2GFO

Valves and accessories to be ordered separately, see pages 2 ... 10

Step 1



Step 2



1 Torque = 1,0 ... 1,1 Nm
Screwdriver speed = max. 1100 r.p.m

2 Torque = 1,2 ... 1,6 Nm
Screwdriver speed = max. 1100 r.p.m

For detailed assembly instructions, please see maintenance & instruction booklet

Multipole and Fieldbus component parts

Sub-bases and end plates (without PCB's) including screws and gaskets

A – End plate kit

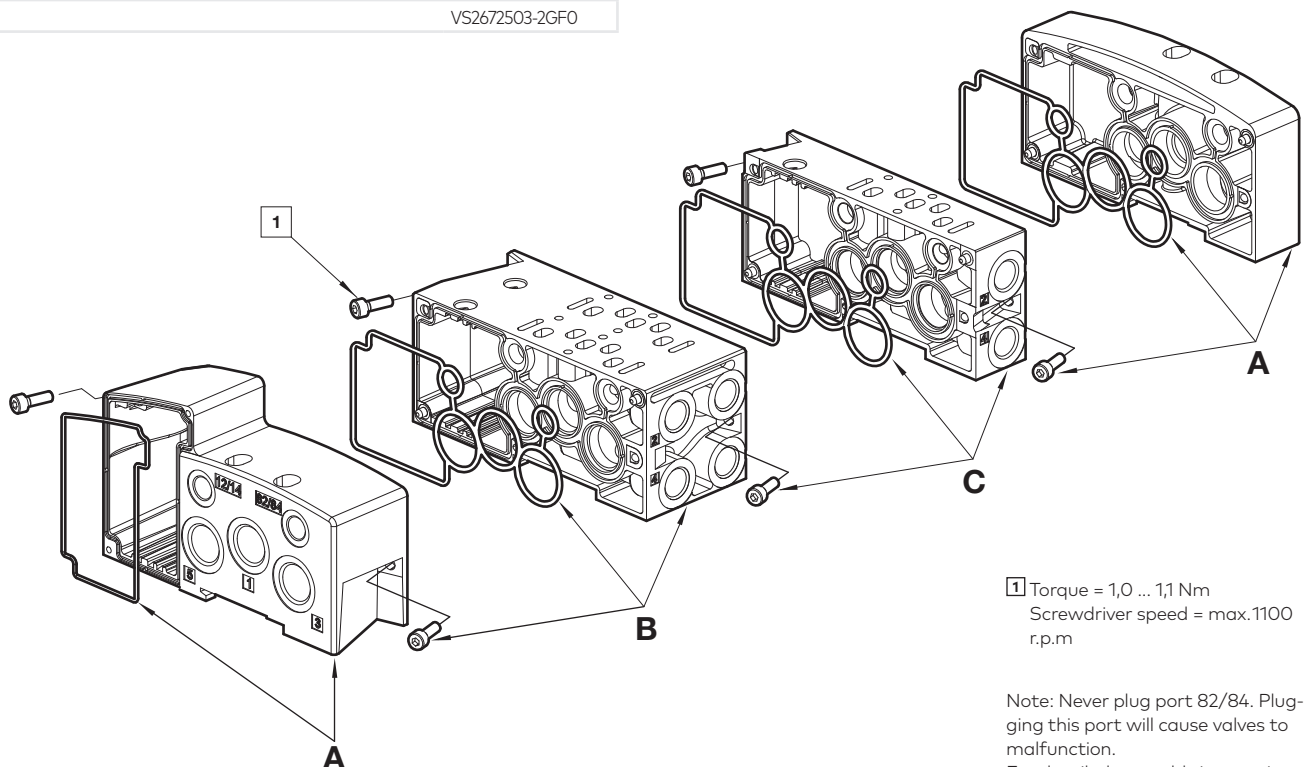
Description	Ports 1, 3 + 5	Ports 12/14 + 82/84	Model
End plate kit for Multipole	G3/8	G1/8	VS2672500-CGCO
End plate kit for Multipole	NPTF3/8	NPTF 1/8	VS2672500-SGCO
End plate kit for Fieldbus	G3/8	G1/8	VS2672501-CGCO
End plate kit for Fieldbus	NPTF3/8	NPTF 1/8	VS2672501-SGCO

B – Double station modular sub-base

Ports 2 + 4	Model
G1/4	VS2672502-BGFO
NPTF 1/4	VS2672502-RGFO
PIF10 mm	VS2672502-YGFO
PIF8 mm	VS2672502-8GFO
PIF3/8	VS2672502-2GFO

C – Single station modular sub-base

Ports 2 + 4	Model
G1/4	VS2672503-BGFO
NPTF 1/4	VS2672503-RGFO
PIF10 mm	VS2672503-YGFO
PIF8 mm	VS2672503-8GFO
PIF3/8	VS2672503-2GFO



1 Torque = 1,0 ... 1,1 Nm
Screwdriver speed = max.1100
r.p.m

Note: Never plug port 82/84. Plug-
ging this port will cause valves to
malfunction.
For detailed assembly instructions,
please see maintenance & instruction
booklet

Spare parts

Quantity per slice	Description	Model
2	Hexagon socket screw M4 x 12	77.31106
1	Gasket	94.00815
1	Connector-kit gasket on end plate	94.00816

Multipole component parts

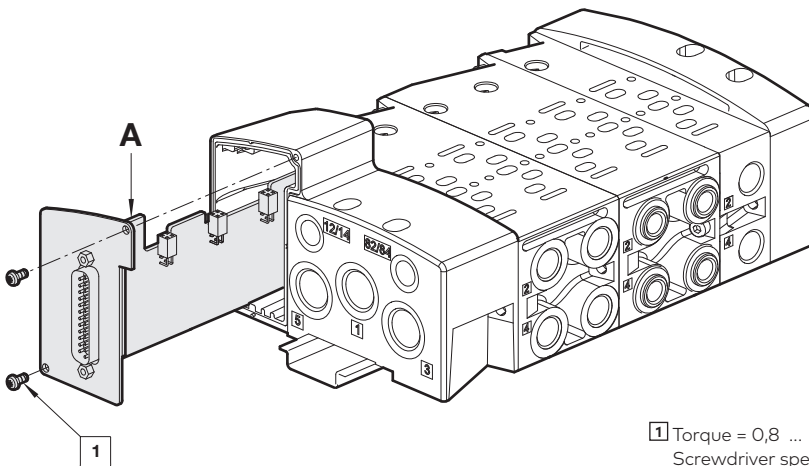
A – Output boards with D-Sub connectors

Connector type	Description	Expandable to max. x no. of stations	Voltage	Model
D-Sub 9-pin	Multipole PCB 2 stations	4	24 V d.c.	VS2672717-KG00
D-Sub 15-pin	Multipole PCB 2 stations	6	24 V d.c.	VS2672718-KG00
D-Sub 15-pin	Multipole PCB 4 stations	7	24 V d.c.	VS2672705-KG00
D-Sub 25-pin	Multipole PCB 2 stations	6	24 V d.c.	VS2672719-KG00
D-Sub 25-pin	Multipole PCB 4 stations	8	24 V d.c.	VS2672700-KG00
D-Sub 25-pin	Multipole PCB 6 stations	10	24 V d.c.	VS2672701-KG00
D-Sub 25-pin	Multipole PCB 8 stations	12	24 V d.c.	VS2672702-KG00
D-Sub 44-pin	Multipole PCB 8 stations	12	24 V d.c.	VS2672703-KG00
D-Sub 44-pin	Multipole PCB 10 stations	14	24 V d.c.	VS2672706-KG00
D-Sub 44-pin	Multipole PCB 12 stations	16	24 V d.c.	VS2672704-KG00
D-Sub 44-pin	Multipole PCB 16 stations	20	24 V d.c.	VS2672707-KG00

Valves and accessories to be ordered separately, see pages 2 ... 10

Expansion output boards for D-Sub connectors

Description	Voltage	Model
Multipole PCB 1 station	24 V d.c.	VS2672755-KG00
Multipole PCB 2 stations	24 V d.c.	VS2672713-KG00



1 Torque = 0,8 ... 0,9 Nm
Screwdriver speed = max. 1100 r.p.m

For detailed assembly instructions, please see maintenance & instruction booklet

Multipole components including screws and gaskets

A – Connector-kit for conduit entry

Description	Voltage	Model
E-Connector-kit NPTF-1 Conduit entry	115 V a.c., 24 V d.c.	VS2672742-KG00

B – Output boards for conduit entry and M23 connector

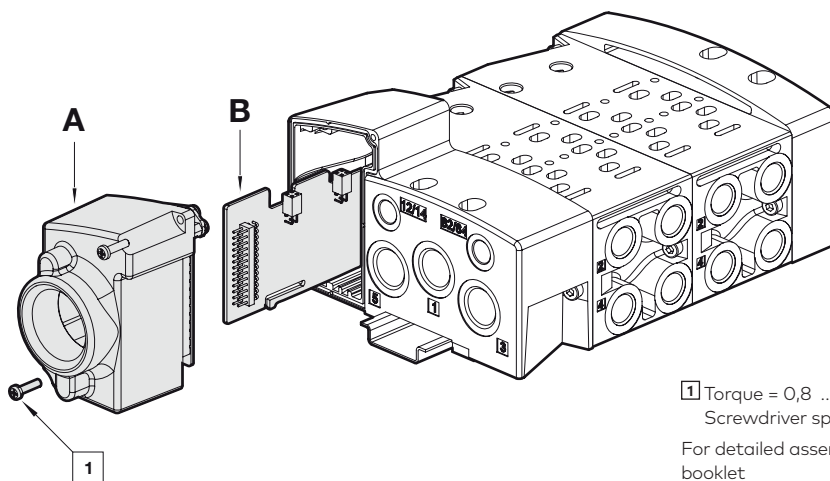
Description	Expandable to max. x no. of stations	Voltage	Model
Multipole PCB 2 stations	6	115 V a.c., 24 V d.c.	VS2672708-KG00
Multipole PCB 4 stations	8	115 V a.c., 24 V d.c.	VS2672709-KG00
Multipole PCB 6 stations	10	115 V a.c., 24 V d.c.	VS2672710-KG00
Multipole PCB 8 stations	12	115 V a.c., 24 V d.c.	VS2672711-KG00

C – Connector-kit for M23 connector

Description	Voltage	Model
E-Connector-kit M23 connector 19-pin	115 V a.c., 24 V d.c.	VS2672743-KG00

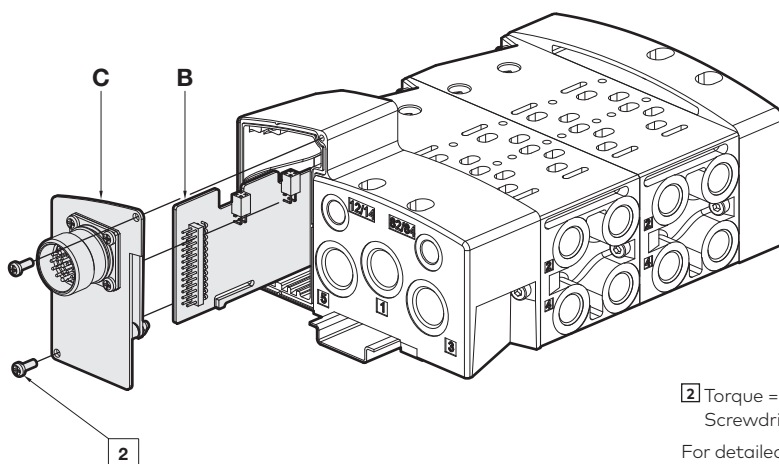
Expansion output boards for conduit entry and M23 connector

Description	Voltage	Model
Multipole PCB1 station	115 V a.c., 24 V d.c.	VS2672756-KG00
Multipole PCB 2 stations	115 V a.c., 24 V d.c.	VS2672715-KG00



1 Torque = 0,8 ... 0,9 Nm
Screwdriver speed = max. 1100 r.p.m

For detailed assembly instructions, please see maintenance & instruction booklet



2 Torque = 0,8 ... 0,9 Nm
Screwdriver speed = max. 1100 r.p.m

For detailed assembly instructions, please see maintenance & instruction booklet

Extension of Industrial Ethernet and IO-Link versions

A – Two station PCB

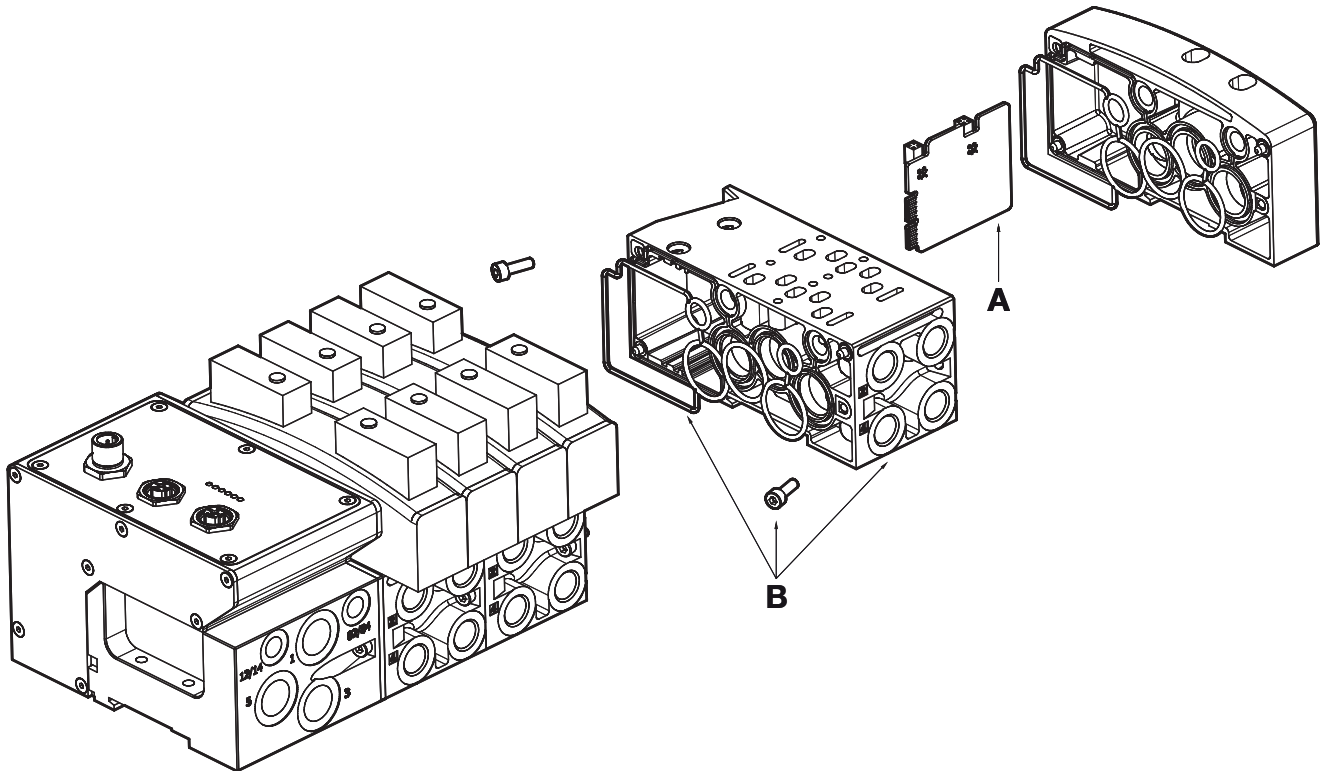
Description	Model
Double station end- and extension PCB	VS2672764-KG00

B – Double station modular sub-base

Ports 2 + 4	Model
G1/4	VS2672502-BGFO
NPTF 1/4	VS2672502-RGFO
PIF 10 mm	VS2672502-YGFO
PIF 8 mm	VS2672502-8GFO
PIF 3/8	VS2672502-2GFO

Additionally available PCBs

Description	Model
Four station end- and extension PCB	VS2672762-KG00
Single station blank PCB (no valve connections)	VS2672763-KG00



Part numbering for complete valve islands

VS26★★★★00-★★★★

Number of stations*	Substitute
1 stations	01
2 stations	02
3 stations	03
4 stations	04
5 stations	05
6 stations	06
7 stations	07
8 stations	08
9 stations	09
10 stations	10
11 stations	11
12 stations	12
13 stations	13
14 stations	14
15 stations	15
16 stations	16
17 stations	17
18 stations	18
19 stations	19
20 stations	20
Electrical connection	Substitute
Single Station	SS
Multipole D-Sub 9 pin	M9
Multipole D-Sub 15 pin	M1
Multipole D-Sub 25 pin	M2
Multipole M23 19-pin	M3
Multipole D-Sub 44-pin	M4
Conduit NPT	CD
PROFIBUS DP	PB
PROFINET IRT	PN
DeviceNet	DN
EtherNet/IP	EP
CANopen	CO
IO-Link	IL

To be defined by online Valve Island configurator based on valve slice selection

To configure and order a valve island visit :
https://www.norgren.com/uk/en/vic_landing.aspx

* Multipole: 2 to 20 stations
 Fieldbus: 2 to 16 stations
 Industrial Ethernet: 4 to 20 stations
 IO-Link: 2 to 20 stations

Valve Island Configurator Short Codes

Function 2 x 2/2 softseal	Actuation / return	Pilot supply	Manual override	Voltage	Short code	Model	ATEX Short code	ATEX Model
NC	Sol/Spring	Internal	Push only	24 V d.c. 1,2 W	STU	VS26SE11DF313A	XTU	VS26SE11DF313E
NC	Sol/Spring	Internal	Push only	115 V a.c. 1,5 VA	TTU	VS26SE11DF318A	-	-
NC	Sol/Spring	Internal	Push & turn	24 V d.c. 1,2 W	STT	VS26SE11DF213A	XTT	VS26SE11DF213E
NC	Sol/Spring	Internal	Push & turn	115 V a.c. 1,5 VA	TTT	VS26SE11DF218A	-	-
NC	Sol/Spring	Internal	Extended, push only	24 V d.c. 1,2 W	STE	VS26SE11DF513A	XTE	VS26SE11DF513E
NC	Sol/Spring	Internal	Extended, push only	115 V a.c. 1,5 VA	TTE	VS26SE11DF518A	-	-
NC	Sol/Spring	External	Push only	24 V d.c. 1,2 W	SWU	VS26SE22DF313A	XWU	VS26SE22DF313E
NC	Sol/Spring	External	Push only	115 V a.c. 1,5 VA	TWU	VS26SE22DF318A	-	-
NC	Sol/Spring	External	Push & turn	24 V d.c. 1,2 W	SWT	VS26SE22DF213A	XWT	VS26SE22DF213E
NC	Sol/Spring	External	Push & turn	115 V a.c. 1,5 VA	TWT	VS26SE22DF218A	-	-
NC	Sol/Spring	External	Extended, push only	24 V d.c. 1,2 W	SWE	VS26SE22DF513A	XWE	VS26SE22DF513E
NC	Sol/Spring	External	Extended, push only	115 V a.c. 1,5 VA	TWE	VS26SE22DF518A	-	-
NO	Sol/Spring	Internal	Push only	24 V d.c. 1,2 W	SUU	VS26SF11DF313A	XUU	VS26SF11DF313E
NO	Sol/Spring	Internal	Push only	115 V a.c. 1,5 VA	TUU	VS26SF11DF318A	-	-
NO	Sol/Spring	Internal	Push & turn	24 V d.c. 1,2 W	SUT	VS26SF11DF213A	XUT	VS26SF11DF213E
NO	Sol/Spring	Internal	Push & turn	115 V a.c. 1,5 VA	TUT	VS26SF11DF218A	-	-
NO	Sol/Spring	Internal	Extended, push only	24 V d.c. 1,2 W	SUE	VS26SF11DF513A	XUE	VS26SF11DF513E
NO	Sol/Spring	Internal	Extended, push only	115 V a.c. 1,5 VA	TUE	VS26SF11DF518A	-	-
NO	Sol/Spring	External	Push only	24 V d.c. 1,2 W	SXU	VS26SF22DF313A	XXU	VS26SF22DF313E
NO	Sol/Spring	External	Push only	115 V a.c. 1,5 VA	TXU	VS26SF22DF318A	-	-
NO	Sol/Spring	External	Push & turn	24 V d.c. 1,2 W	SXT	VS26SF22DF213A	XXT	VS26SF22DF213E
NO	Sol/Spring	External	Push & turn	115 V a.c. 1,5 VA	TXT	VS26SF22DF218A	-	-
NO	Sol/Spring	External	Extended, push only	24 V d.c. 1,2 W	SXE	VS26SF22DF513A	XXE	VS26SF22DF513E
NO	Sol/Spring	External	Extended, push only	115 V a.c. 1,5 VA	TXE	VS26SF22DF518A	-	-
NO/NC	Sol/Spring	Internal	Push only	24 V d.c. 1,2 W	SVU	VS26SG11DF313A	XVU	VS26SG11DF313E
NO/NC	Sol/Spring	Internal	Push only	115 V a.c. 1,5 VA	TVU	VS26SG11DF318A	-	-
NO/NC	Sol/Spring	Internal	Push & turn	24 V d.c. 1,2 W	SVT	VS26SG11DF213A	XVT	VS26SG11DF213E
NO/NC	Sol/Spring	Internal	Push & turn	115 V a.c. 1,5 VA	TVT	VS26SG11DF218A	-	-
NO/NC	Sol/Spring	Internal	Extended, push only	24 V d.c. 1,2 W	SVE	VS26SG11DF513A	XVE	VS26SG11DF513E
NO/NC	Sol/Spring	Internal	Extended, push only	115 V a.c. 1,5 VA	TVE	VS26SG11DF518A	-	-
NO/NC	Sol/Spring	External	Push only	24 V d.c. 1,2 W	SYU	VS26SG22DF313A	XYU	VS26SG22DF313E
NO/NC	Sol/Spring	External	Push only	115 V a.c. 1,5 VA	TYU	VS26SG22DF318A	-	-
NO/NC	Sol/Spring	External	Push & turn	24 V d.c. 1,2 W	SYT	VS26SG22DF213A	XYT	VS26SG22DF213E
NO/NC	Sol/Spring	External	Push & turn	115 V a.c. 1,5 VA	TYT	VS26SG22DF218A	-	-
NO/NC	Sol/Spring	External	Extended, push only	24 V d.c. 1,2 W	SYE	VS26SG22DF513A	XYE	VS26SG22DF513E
NO/NC	Sol/Spring	External	Extended, push only	115 V a.c. 1,5 VA	TYE	VS26SG22DF518A	-	-

Function 2 x 3/2 softseal	Actuation / return	Pilot supply	Manual override	Voltage	Short code	Model	ATEX Short code	ATEX Model
NC	Sol/Spring	Internal	Push only	24 V d.c. 1,2 W	SAU	VS26SA11DF313A	XAU	VS26SA11DF313E
NC	Sol/Spring	Internal	Push only	115 V a.c. 1,5 VA	TAU	VS26SA11DF318A	-	-
NC	Sol/Spring	Internal	Push & turn	24 V d.c. 1,2 W	SAT	VS26SA11DF213A	XAT	VS26SA11DF213E
NC	Sol/Spring	Internal	Push & turn	115 V a.c. 1,5 VA	TAT	VS26SA11DF218A	-	-
NC	Sol/Spring	Internal	Extended, push only	24 V d.c. 1,2 W	SAE	VS26SA11DF513A	XAE	VS26SA11DF513E
NC	Sol/Spring	Internal	Extended, push only	115 V a.c. 1,5 VA	TAE	VS26SA11DF518A	-	-
NC	Sol/Spring	External	Push only	24 V d.c. 1,2 W	SDU	VS26SA22DF313A	XDU	VS26SA22DF313E
NC	Sol/Spring	External	Push only	115 V a.c. 1,5 VA	TDU	VS26SA22DF318A	-	-
NC	Sol/Spring	External	Push & turn	24 V d.c. 1,2 W	SDT	VS26SA22DF213A	XDT	VS26SA22DF213E
NC	Sol/Spring	External	Push & turn	115 V a.c. 1,5 VA	TDT	VS26SA22DF218A	-	-
NC	Sol/Spring	External	Extended, push only	24 V d.c. 1,2 W	SDE	VS26SA22DF513A	XDE	VS26SA22DF513E
NC	Sol/Spring	External	Extended, push only	115 V a.c. 1,5 VA	TDE	VS26SA22DF518A	-	-
NO	Sol/Spring	Internal	Push only	24 V d.c. 1,2 W	SBU	VS26SB11DF313A	XBU	VS26SB11DF313E
NO	Sol/Spring	Internal	Push only	115 V a.c. 1,5 VA	TBU	VS26SB11DF318A	-	-
NO	Sol/Spring	Internal	Push & turn	24 V d.c. 1,2 W	SBT	VS26SB11DF213A	XBT	VS26SB11DF213E
NO	Sol/Spring	Internal	Push & turn	115 V a.c. 1,5 VA	TBT	VS26SB11DF218A	-	-
NO	Sol/Spring	Internal	Extended, push only	24 V d.c. 1,2 W	SBE	VS26SB11DF513A	XBE	VS26SB11DF513E
NO	Sol/Spring	Internal	Extended, push only	115 V a.c. 1,5 VA	TBE	VS26SB11DF518A	-	-
NO	Sol/Spring	External	Push only	24 V d.c. 1,2 W	SEU	VS26SB22DF313A	XEU	VS26SB22DF313E
NO	Sol/Spring	External	Push only	115 V a.c. 1,5 VA	TEU	VS26SB22DF318A	-	-
NO	Sol/Spring	External	Push & turn	24 V d.c. 1,2 W	SET	VS26SB22DF213A	XET	VS26SB22DF213E
NO	Sol/Spring	External	Push & turn	115 V a.c. 1,5 VA	TET	VS26SB22DF218A	-	-
NO	Sol/Spring	External	Extended, push only	24 V d.c. 1,2 W	SEE	VS26SB22DF513A	XEE	VS26SB22DF513E
NO	Sol/Spring	External	Extended, push only	115 V a.c. 1,5 VA	TEE	VS26SB22DF518A	-	-
NO/NC	Sol/Spring	Internal	Push only	24 V d.c. 1,2 W	SCU	VS26SC11DF313A	XCU	VS26SC11DF313E
NO/NC	Sol/Spring	Internal	Push only	115 V a.c. 1,5 VA	TCU	VS26SC11DF318A	-	-
NO/NC	Sol/Spring	Internal	Push & turn	24 V d.c. 1,2 W	SCT	VS26SC11DF213A	XCT	VS26SC11DF213E
NO/NC	Sol/Spring	Internal	Push & turn	115 V a.c. 1,5 VA	TCT	VS26SC11DF218A	-	-
NO/NC	Sol/Spring	Internal	Extended, push only	24 V d.c. 1,2 W	SCE	VS26SC11DF513A	XCE	VS26SC11DF513E
NO/NC	Sol/Spring	Internal	Extended, push only	115 V a.c. 1,5 VA	TCE	VS26SC11DF518A	-	-
NO/NC	Sol/Spring	External	Push only	24 V d.c. 1,2 W	SFU	VS26SC22DF313A	XFU	VS26SC22DF313E
NO/NC	Sol/Spring	External	Push only	115 V a.c. 1,5 VA	TFU	VS26SC22DF318A	-	-
NO/NC	Sol/Spring	External	Push & turn	24 V d.c. 1,2 W	SFT	VS26SC22DF213A	XFT	VS26SC22DF213E
NO/NC	Sol/Spring	External	Push & turn	115 V a.c. 1,5 VA	TFT	VS26SC22DF218A	-	-
NO/NC	Sol/Spring	External	Extended, push only	24 V d.c. 1,2 W	SFE	VS26SC22DF513A	XFE	VS26SC22DF513E
NO/NC	Sol/Spring	External	Extended, push only	115 V a.c. 1,5 VA	TFE	VS26SC22DF518A	-	-

Function 5/2 softseal	Actuation / return	Pilot supply	Manual override	Voltage	Short code	Model	ATEX Short code	ATEX Model
BI	Sol/Sol	Internal	Push only	24 V d.c. 1,2 W	SJU	VS26S511DF313A	XJU	VS26S511DF313E
BI	Sol/Sol	Internal	Push only	115 V a.c. 1,5 VA	TJU	VS26S511DF318A	-	-
BI	Sol/Sol	Internal	Push & turn	24 V d.c. 1,2 W	SJT	VS26S511DF213A	XJT	VS26S511DF213E
BI	Sol/Sol	Internal	Push & turn	115 V a.c. 1,5 VA	TJT	VS26S511DF218A	-	-
BI	Sol/Sol	Internal	Extended, push only	24 V d.c. 1,2 W	SJE	VS26S511DF513A	XJE	VS26S511DF513E
BI	Sol/Sol	Internal	Extended, push only	115 V a.c. 1,5 VA	TJE	VS26S511DF518A	-	-
BI	Sol/Sol	External	Push only	24 V d.c. 1,2 W	SKU	VS26S522DF313A	XKU	VS26S522DF313E
BI	Sol/Sol	External	Push only	115 V a.c. 1,5 VA	TKU	VS26S522DF318A	-	-
BI	Sol/Sol	External	Push & turn	24 V d.c. 1,2 W	SKT	VS26S522DF213A	XKT	VS26S522DF213E
BI	Sol/Sol	External	Push & turn	115 V a.c. 1,5 VA	TKT	VS26S522DF218A	-	-
BI	Sol/Sol	External	Extended, push only	24 V d.c. 1,2 W	SKE	VS26S522DF513A	XKE	VS26S522DF513E
BI	Sol/Sol	External	Extended, push only	115 V a.c. 1,5 VA	TKE	VS26S522DF518A	-	-
MO	Sol/Spring	Internal	Push only	24 V d.c. 1,2 W	SGU	VS26S517DF313A	XGU	VS26S517DF313E
MO	Sol/Spring	Internal	Push only	115 V a.c. 1,5 VA	TGU	VS26S517DF318A	-	-
MO	Sol/Spring	Internal	Push & turn	24 V d.c. 1,2 W	SGT	VS26S517DF213A	XGT	VS26S517DF213E
MO	Sol/Spring	Internal	Push & turn	115 V a.c. 1,5 VA	TGT	VS26S517DF218A	-	-
MO	Sol/Spring	Internal	Extended, push only	24 V d.c. 1,2 W	SGE	VS26S517DF513A	XGE	VS26S517DF513E
MO	Sol/Spring	Internal	Extended, push only	115 V a.c. 1,5 VA	TGE	VS26S517DF518A	-	-
MO	Sol/Spring	External	Push only	24 V d.c. 1,2 W	SHU	VS26S527DF313A	XHU	VS26S527DF313E
MO	Sol/Spring	External	Push only	115 V a.c. 1,5 VA	THU	VS26S527DF318A	-	-
MO	Sol/Spring	External	Push & turn	24 V d.c. 1,2 W	SHT	VS26S527DF213A	XHT	VS26S527DF213E
MO	Sol/Spring	External	Push & turn	115 V a.c. 1,5 VA	THT	VS26S527DF218A	-	-
MO	Sol/Spring	External	Extended, push only	24 V d.c. 1,2 W	SHE	VS26S527DF513A	XHE	VS26S527DF513E
MO	Sol/Spring	External	Extended, push only	115 V a.c. 1,5 VA	THE	VS26S527DF518A	-	-
Function 5/2 glandless	Actuation / return	Pilot supply	Manual override	Voltage	Short code	Model	ATEX Short code	ATEX Model
BI	Sol/Sol	Internal	Push only	24 V d.c. 1,2 W	GJU	VS26G511DF313A	LJU	VS26G511DF313E
BI	Sol/Sol	Internal	Push only	115 V a.c. 1,5 VA	HJU	VS26G511DF318A	-	-
BI	Sol/Sol	Internal	Push & turn	24 V d.c. 1,2 W	GJT	VS26G511DF213A	LJT	VS26G511DF213E
BI	Sol/Sol	Internal	Push & turn	115 V a.c. 1,5 VA	HJT	VS26G511DF218A	-	-
BI	Sol/Sol	Internal	Extended, push only	24 V d.c. 1,2 W	GJE	VS26G511DF513A	LJE	VS26G511DF513E
BI	Sol/Sol	Internal	Extended, push only	115 V a.c. 1,5 VA	HJE	VS26G511DF518A	-	-
BI	Sol/Sol	External	Push only	24 V d.c. 1,2 W	GKU	VS26G522DF313A	LKU	VS26G522DF313E
BI	Sol/Sol	External	Push only	115 V a.c. 1,5 VA	HKU	VS26G522DF318A	-	-
BI	Sol/Sol	External	Push & turn	24 V d.c. 1,2 W	GKT	VS26G522DF213A	LKT	VS26G522DF213E
BI	Sol/Sol	External	Push & turn	115 V a.c. 1,5 VA	HKT	VS26G522DF218A	-	-
BI	Sol/Sol	External	Extended, push only	24 V d.c. 1,2 W	GKE	VS26G522DF513A	LKE	VS26G522DF513E
BI	Sol/Sol	External	Extended, push only	115 V a.c. 1,5 VA	HKE	VS26G522DF518A	-	-
BI	Sol (Priority)/Sol	Internal	Push only	24 V d.c. 1,2 W	GSU	VS26G591DF313A	LSU	VS26G591DF313E
BI	Sol (Priority)/Sol	Internal	Push only	115 V a.c. 1,5 VA	HSU	VS26G591DF318A	-	-
BI	Sol (Priority)/Sol	Internal	Push & turn	24 V d.c. 1,2 W	GST	VS26G591DF213A	LST	VS26G591DF213E
BI	Sol (Priority)/Sol	Internal	Push & turn	115 V a.c. 1,5 VA	HST	VS26G591DF218A	-	-
BI	Sol (Priority)/Sol	Internal	Extended, push only	24 V d.c. 1,2 W	GSE	VS26G591DF513A	LSE	VS26G591DF513E
BI	Sol (Priority)/Sol	Internal	Extended, push only	115 V a.c. 1,5 VA	HSE	VS26G591DF518A	-	-
BI	Sol (Priority)/Sol	External	Push only	24 V d.c. 1,2 W	GTU	VS26G592DF313A	LTU	VS26G592DF313E
BI	Sol (Priority)/Sol	External	Push only	115 V a.c. 1,5 VA	HTU	VS26G592DF318A	-	-
BI	Sol (Priority)/Sol	External	Push & turn	24 V d.c. 1,2 W	GTT	VS26G592DF213A	LTT	VS26G592DF213E
BI	Sol (Priority)/Sol	External	Push & turn	115 V a.c. 1,5 VA	HTT	VS26G592DF218A	-	-
BI	Sol (Priority)/Sol	External	Extended, push only	24 V d.c. 1,2 W	GTE	VS26G592DF513A	LTE	VS26G592DF513E
BI	Sol (Priority)/Sol	External	Extended, push only	115 V a.c. 1,5 VA	HTE	VS26G592DF518A	-	-
MO	Sol/Spring	Internal	Push only	24 V d.c. 1,2 W	GGU	VS26G517DF313A	LGU	VS26G517DF313E
MO	Sol/Spring	Internal	Push only	115 V a.c. 1,5 VA	HGU	VS26G517DF318A	-	-
MO	Sol/Spring	Internal	Push & turn	24 V d.c. 1,2 W	GGT	VS26G517DF213A	LGT	VS26G517DF213E
MO	Sol/Spring	Internal	Push & turn	115 V a.c. 1,5 VA	HGT	VS26G517DF218A	-	-
MO	Sol/Spring	Internal	Extended, push only	24 V d.c. 1,2 W	GGE	VS26G517DF513A	LGE	VS26G517DF513E
MO	Sol/Spring	Internal	Extended, push only	115 V a.c. 1,5 VA	HGE	VS26G517DF518A	-	-
MO	Sol/Spring	External	Push only	24 V d.c. 1,2 W	GHU	VS26G527DF313A	LHU	VS26G527DF313E
MO	Sol/Spring	External	Push only	115 V a.c. 1,5 VA	HHU	VS26G527DF318A	-	-
MO	Sol/Spring	External	Push & turn	24 V d.c. 1,2 W	GHT	VS26G527DF213A	LHT	VS26G527DF213E
MO	Sol/Spring	External	Push & turn	115 V a.c. 1,5 VA	HHT	VS26G527DF218A	-	-
MO	Sol/Spring	External	Extended, push only	24 V d.c. 1,2 W	GHE	VS26G527DF513A	LHE	VS26G527DF513E
MO	Sol/Spring	External	Extended, push only	115 V a.c. 1,5 VA	HHE	VS26G527DF518A	-	-

Function 5/3 softseal	Actuation / return	Pilot supply	Manual override	Voltage	Short code	Model	ATEX Short code	ATEX Model
APB	Sol/Sol	Internal	Push only	24 V d.c. 1,2 W	SLU	VS26S611DF313A	XLU	VS26S611DF313E
APB	Sol/Sol	Internal	Push only	115 V a.c. 1,5 VA	TLU	VS26S611DF318A	-	-
APB	Sol/Sol	Internal	Push & turn	24 V d.c. 1,2 W	SLT	VS26S611DF213A	XLT	VS26S611DF213E
APB	Sol/Sol	Internal	Push & turn	115 V a.c. 1,5 VA	TLT	VS26S611DF218A	-	-
APB	Sol/Sol	Internal	Extended, push only	24 V d.c. 1,2 W	SLE	VS26S611DF513A	XLE	VS26S611DF513E
APB	Sol/Sol	Internal	Extended, push only	115 V a.c. 1,5 VA	TLE	VS26S611DF518A	-	-
APB	Sol/Sol	External	Push only	24 V d.c. 1,2 W	SMU	VS26S622DF313A	XMU	VS26S622DF313E
APB	Sol/Sol	External	Push only	115 V a.c. 1,5 VA	TMU	VS26S622DF318A	-	-
APB	Sol/Sol	External	Push & turn	24 V d.c. 1,2 W	SMT	VS26S622DF213A	XMT	VS26S622DF213E
APB	Sol/Sol	External	Push & turn	115 V a.c. 1,5 VA	TMT	VS26S622DF218A	-	-
APB	Sol/Sol	External	Extended, push only	24 V d.c. 1,2 W	SME	VS26S622DF513A	XME	VS26S622DF513E
APB	Sol/Sol	External	Extended, push only	115 V a.c. 1,5 VA	TME	VS26S622DF518A	-	-
COE	Sol/Sol	Internal	Push only	24 V d.c. 1,2 W	SQU	VS26S711DF313A	XQU	VS26S711DF313E
COE	Sol/Sol	Internal	Push only	115 V a.c. 1,5 VA	TQU	VS26S711DF318A	-	-
COE	Sol/Sol	Internal	Push & turn	24 V d.c. 1,2 W	SQT	VS26S711DF213A	XQT	VS26S711DF213E
COE	Sol/Sol	Internal	Push & turn	115 V a.c. 1,5 VA	TQT	VS26S711DF218A	-	-
COE	Sol/Sol	Internal	Extended, push only	24 V d.c. 1,2 W	SQE	VS26S711DF513A	XQE	VS26S711DF513E
COE	Sol/Sol	Internal	Extended, push only	115 V a.c. 1,5 VA	TQE	VS26S711DF518A	-	-
COE	Sol/Sol	External	Push only	24 V d.c. 1,2 W	SRU	VS26S722DF313A	XRU	VS26S722DF313E
COE	Sol/Sol	External	Push only	115 V a.c. 1,5 VA	TRU	VS26S722DF318A	-	-
COE	Sol/Sol	External	Push & turn	24 V d.c. 1,2 W	SRT	VS26S722DF213A	XRT	VS26S722DF213E
COE	Sol/Sol	External	Push & turn	115 V a.c. 1,5 VA	TRT	VS26S722DF218A	-	-
COE	Sol/Sol	External	Extended, push only	24 V d.c. 1,2 W	SRE	VS26S722DF513A	XRE	VS26S722DF513E
COE	Sol/Sol	External	Extended, push only	115 V a.c. 1,5 VA	TRE	VS26S722DF518A	-	-
Function 5/3 glandless	Actuation / return	Pilot supply	Manual override	Voltage	Short code	Model	ATEX Short code	ATEX Model
APB	Sol/Sol	Internal	Push only	24 V d.c. 1,2 W	GLU	VS26G611DF313A	LLU	VS26G611DF313E
APB	Sol/Sol	Internal	Push only	115 V a.c. 1,5 VA	HLU	VS26G611DF318A	-	-
APB	Sol/Sol	Internal	Push & turn	24 V d.c. 1,2 W	GLT	VS26G611DF213A	LLT	VS26G611DF213E
APB	Sol/Sol	Internal	Push & turn	115 V a.c. 1,5 VA	HLT	VS26G611DF218A	-	-
APB	Sol/Sol	Internal	Extended, push only	24 V d.c. 1,2 W	GLE	VS26G611DF513A	LLE	VS26G611DF513E
APB	Sol/Sol	Internal	Extended, push only	115 V a.c. 1,5 VA	HLE	VS26G611DF518A	-	-
APB	Sol/Sol	External	Push only	24 V d.c. 1,2 W	GMU	VS26G622DF313A	LMU	VS26G622DF313E
APB	Sol/Sol	External	Push only	115 V a.c. 1,5 VA	HMU	VS26G622DF318A	-	-
APB	Sol/Sol	External	Push & turn	24 V d.c. 1,2 W	GMT	VS26G622DF213A	LMT	VS26G622DF213E
APB	Sol/Sol	External	Push & turn	115 V a.c. 1,5 VA	HMT	VS26G622DF218A	-	-
APB	Sol/Sol	External	Extended, push only	24 V d.c. 1,2 W	GME	VS26G622DF513A	LME	VS26G622DF513E
APB	Sol/Sol	External	Extended, push only	115 V a.c. 1,5 VA	HME	VS26G622DF518A	-	-
COE	Sol/Sol	Internal	Push only	24 V d.c. 1,2 W	GQU	VS26G711DF313A	LQU	VS26G711DF313E
COE	Sol/Sol	Internal	Push only	115 V a.c. 1,5 VA	HQU	VS26G711DF318A	-	-
COE	Sol/Sol	Internal	Push & turn	24 V d.c. 1,2 W	GQT	VS26G711DF213A	LQT	VS26G711DF213E
COE	Sol/Sol	Internal	Push & turn	115 V a.c. 1,5 VA	HQT	VS26G711DF218A	-	-
COE	Sol/Sol	Internal	Extended, push only	24 V d.c. 1,2 W	GQE	VS26G711DF513A	LQE	VS26G711DF513E
COE	Sol/Sol	Internal	Extended, push only	115 V a.c. 1,5 VA	HQE	VS26G711DF518A	-	-
COE	Sol/Sol	External	Push only	24 V d.c. 1,2 W	GRU	VS26G722DF313A	LRU	VS26G722DF313E
COE	Sol/Sol	External	Push only	115 V a.c. 1,5 VA	HRU	VS26G722DF318A	-	-
COE	Sol/Sol	External	Push & turn	24 V d.c. 1,2 W	GRT	VS26G722DF213A	LRT	VS26G722DF213E
COE	Sol/Sol	External	Push & turn	115 V a.c. 1,5 VA	HRT	VS26G722DF218A	-	-
COE	Sol/Sol	External	Extended, push only	24 V d.c. 1,2 W	GRE	VS26G722DF513A	LRE	VS26G722DF513E
COE	Sol/Sol	External	Extended, push only	115 V a.c. 1,5 VA	HRE	VS26G722DF518A	-	-

Warning

These products are intended for use in industrial compressed air systems only. Do not use these products where pressures and temperatures can exceed those listed under **»Technical features/data«**. Before using these products with fluids other than those specified, for non-industrial applications, life-support systems or other applications not within published specifications, consult IMI Precision Engineering.

Through misuse, age, or malfunction, components used in fluid power systems can fail in various modes.

The system designer is warned to consider the failure modes of all component parts used in fluid power systems and to provide adequate safeguards to prevent personal injury or damage to equipment in the event of such failure.

System designers must provide a warning to end users in the system instructional manual if protection against a failure mode cannot be adequately provided.

System designers and end users are cautioned to review specific warnings found in instruction sheets packed and shipped with these products.