

BL64 - Olympian Plus plug-in system Filter/regulators and lubricators



- > **Port size: 1/4" ... 3/4"**
(ISO G/PTF)
- > **Complete air processing units pre-assembled, ready to install**



Technical features

Medium:

Compressed air only

Maximum operating pressure:

17 bar (246 psi)

Pressure range:

0,3 ... 10 bar (4 ... 145 psi)

Port sizes:

G1/4, G3/8, G1/2 or G3/4

Gauge ports:

Rc 1/8

Relieving:

Standard

Element:

40 µm

Drain:

Manual or automatic

Automatic drain conditions:

Pressure to close drain:

> 0,3 bar (4.3 psi)

Pressure to open drain:

< 0,2 bar (2.9 psi)

Minimum air flow to close drain:

0,6 dm³/s (1.3 scfm)

Bowl size (lubricator):

0,2 litre (7 fluid oz)

Ambient/Media temperature:

-20° ... +80°C (-4 ... +176°F)

Version with gauge:

-20° ... +65°C (-4° ... +149°F)

Air supply must be dry enough to avoid ice formation at temperatures below +2°C (+35°F).

Materials:

Body and yoke: Zinc alloy

Connection piece: Aluminium

Metal bowl: Aluminium

Prismatic liquid level indicator:

Grilamid

Sight dome: transparent PA

Element: Sintered bronze or plastic

Elastomers: NBR

Please contact IMI Norgren for following options:

Pressure range:

0,3 ... 4 bar (4 ... 58 psi)

0,7 ... 17 bar (2 ... 250 psi)

Port size:

1/4 PTF, 3/8 PTF, 1/2 PTF, 3/4

PTF

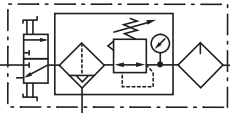
Element:

5 µm

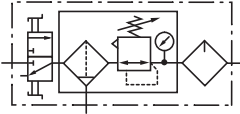
Bowl size (lubricator):

1 litre

Technical data BL64 - standard models; automatic drain



Symbol	Port size	Size	Pressure range (bar)	Element (µm)	Drain	Lubricator	Mounting	Gauge	Shut-off valve	Model
	G1/4	—	0,3 ... 10	40	Automatic	Micro fog	Bracket	With	With	BL64-201
	G3/8	—	0,3 ... 10	40	Automatic	Micro fog	Bracket	With	With	BL64-301
	G1/2	Basic	0,3 ... 10	40	Automatic	Micro fog	Bracket	With	With	BL64-401
	G3/4	—	0,3 ... 10	40	Automatic	Micro fog	Bracket	With	With	BL64-601
	G1/4	—	0,3 ... 10	40	Automatic	Oil fog	Bracket	With	With	BL64-211
	G3/8	—	0,3 ... 10	40	Automatic	Oil fog	Bracket	With	With	BL64-311
	G1/2	Basic	0,3 ... 10	40	Automatic	Oil fog	Bracket	With	With	BL64-411
	G3/4	—	0,3 ... 10	40	Automatic	Oil fog	Bracket	With	With	BL64-611
	G1/4	—	0,3 ... 10	40	Automatic	Micro fog	—	With	With	BL64-202
	G3/8	—	0,3 ... 10	40	Automatic	Micro fog	—	With	With	BL64-302
	G1/2	Basic	0,3 ... 10	40	Automatic	Micro fog	—	With	With	BL64-402
	G3/4	—	0,3 ... 10	40	Automatic	Micro fog	—	With	With	BL64-602
	G1/4	—	0,3 ... 10	40	Automatic	Oil fog	—	With	With	BL64-212
	G3/8	—	0,3 ... 10	40	Automatic	Oil fog	—	With	With	BL64-312
	G1/2	Basic	0,3 ... 10	40	Automatic	Oil fog	—	With	With	BL64-412
	G3/4	—	0,3 ... 10	40	Automatic	Oil fog	—	With	With	BL64-612

Technical data BL64 - standard models, manual drain

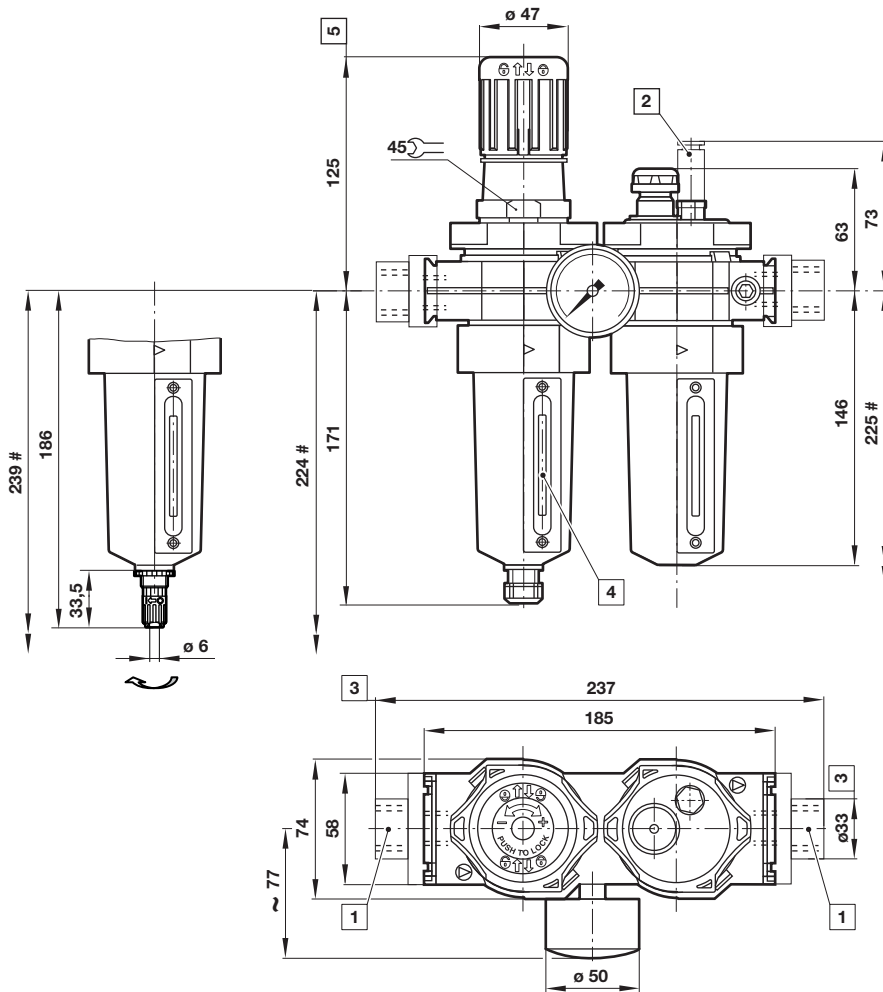
Symbol	Port size	Size	Pressure range (bar)	Element (µm)	Drain	Lubricator	Mounting	Gauge	Shut-off valve	Model
	G1/4	—	0,3 ... 10	40	Manual	Micro fog	Bracket	With	With	BL64-221
	G3/8	—	0,3 ... 10	40	Manual	Micro fog	Bracket	With	With	BL64-321
	G1/2	Basic	0,3 ... 10	40	Manual	Micro fog	Bracket	With	With	BL64-421
	G3/4	—	0,3 ... 10	40	Manual	Micro fog	Bracket	With	With	BL64-621
	G1/4	—	0,3 ... 10	40	Manual	Oil fog	Bracket	With	With	BL64-231
	G3/8	—	0,3 ... 10	40	Manual	Oil fog	Bracket	With	With	BL64-331
	G1/2	Basic	0,3 ... 10	40	Manual	Oil fog	Bracket	With	With	BL64-431
	G3/4	—	0,3 ... 10	40	Manual	Oil fog	Bracket	With	With	BL64-631
	G1/4	—	0,3 ... 10	40	Manual	Micro fog	—	With	With	BL64-222
	G3/8	—	0,3 ... 10	40	Manual	Micro fog	—	With	With	BL64-322
	G1/2	Basic	0,3 ... 10	40	Manual	Micro fog	—	With	With	BL64-422
	G3/4	—	0,3 ... 10	40	Manual	Micro fog	—	With	With	BL64-622
	G1/4	—	0,3 ... 10	40	Manual	Oil fog	—	With	With	BL64-232
	G3/8	—	0,3 ... 10	40	Manual	Oil fog	—	With	With	BL64-332
	G1/2	Basic	0,3 ... 10	40	Manual	Oil fog	—	With	With	BL64-432
	G3/4	—	0,3 ... 10	40	Manual	Oil fog	—	With	With	BL64-632

Accessories

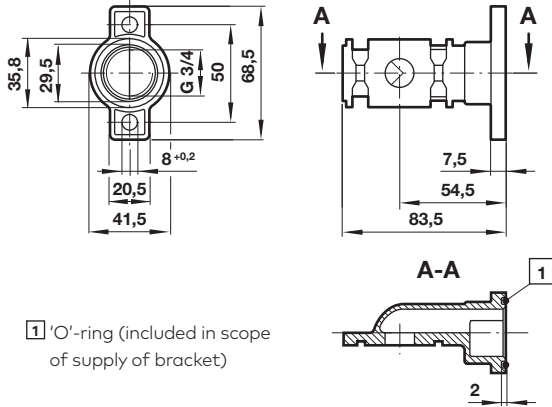
	3/2 Shut-off valve Threaded inlet only	Threaded outlet only	End connector kit	Rear entry bracket kit
Thread				
G1/4	T64T-2GB-P1N	T64T-2GC-P1N	—	—
G3/8	T64T-3GB-P1N	T64T-3GC-P1N	—	—
G1/2	T64T-4GB-P1N	T64T-4GC-P1N	74505-50	—
G3/4	T64T-6GB-P1N	T64T-6GC-P1N	74505-53	18-026-981
1/4 PTF	T64T-2AB-P1N	T64T-2AC-P1N	—	—
3/8 PTF	T64T-3AB-P1N	T64T-3AC-P1N	—	—
1/2 PTF	T64T-4AB-P1N	T64T-4AC-P1N	74505-52	—
3/4 PTF	T64T-6AB-P1N	T64T-6AC-P1N	74505-55	—

Quick fill device	Tamper resistant cap & seal wire	Yoke connector kit	Porting block	Padlock with two keys
				
18-011-024	4355-51	74503-51	74507-50	0613633 (brass)

Basic dimensions

 Dimensions in mm
 Projection/First angle


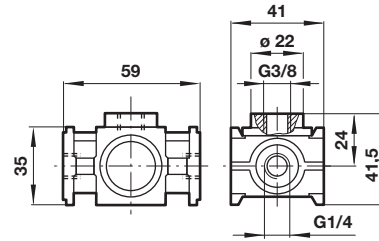
- # Minimum clearance required to remove bowl
- 1 Main ports 1/4", 3/8", 1/2" or 3/4"
 - 2 Quick fill device
 - 3 For main ports 3/4" only
 - 4 Sight glass
 - 5 Reduces by 4 mm with knob in locked position

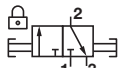
**Rear entry bracket
18-026-981**


1 'O'-ring (included in scope of supply of bracket)

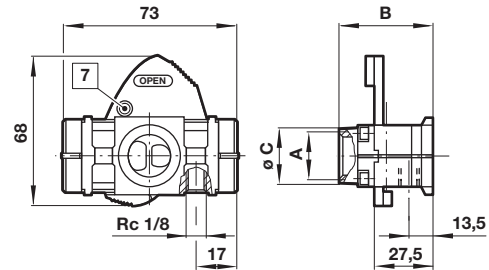
**Porting block
74507-50**

Dimensions in mm
Projection/First angle


3/2 Shut-off valve

Symbol	A	B	ø C	Model
	G1/4	48	27	T64T-2G*-P1N
	G3/8	48	27	T64T-3G*-P1N
	G1/2	48	27	T64T-4G*-P1N
	G3/4	51	33	T64T-6G*-P1N

* B = Threaded inlet only, C = Threaded outlet only



7 Padlock hole ø7,5 mm

Warning

These products are intended for use in industrial compressed air systems only. Do not use these products where pressures and temperatures can exceed those listed under

»Technical features/data«.

Before using these products with fluids other than those specified, for non-industrial applications, life-support systems or other applications not within published specifications, consult IMI Precision Engineering.

Through misuse, age, or malfunction, components used in fluid power systems can fail in various modes.

The system designer is warned to consider the failure modes of all component parts used in fluid power systems and to provide adequate safeguards to prevent personal injury or damage to equipment in the event of such failure.

System designers must provide a warning to end users in the system instructional manual if protection against a failure mode cannot be adequately provided.

System designers and end users are cautioned to review specific warnings found in instruction sheets packed and shipped with these products.