

T20

Exhaust flow regulator/silencers



- > Port size: M5, G1/8 ... G1/2
- > Compact design
- > Captive regulating needle will not blow out when unscrewed



Technical features

Medium:

Compressed air, filtered, lubricated and non-lubricated, inert gases

Operation:

Exhaust flow regulator/silencer

Operating pressure:

1 ... 10 bar (14 ... 145 psi)

Port size:

M5, G1/8, G1/4, G3/8, G1/2

Mounting:

Directly in the exhaust port
'Allen' key adjustment for flow regulation

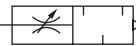
Ambient/Media temperature:

-20 ... +80°C max. (-4 ... +176°F)
Air supply must be dry enough to avoid ice formation at temperatures below +2°C (+35°F)

Materials:

Body and washer: PA
Silencer: Porous PUR
Adjusting screw: high tensile zinc plated steel
M5:
Body: PA
Adjusting screw: high tensile zinc plated steel

Technical data, standard models

Symbol	Port size	Flow factor C *1)	Cv	Kv *2)	Weight (kg)	Model
	M5	0,3	0,07	0,054	0,001	T20M0500
	G1/8A	1,6	0,4	0,34	0,003	T20C1800
	G1/4A	3,2	0,8	0,68	0,007	T20C2800
	G3/8A	6,9	1,7	1,47	0,020	T20C3800
	G1/2A	10	2,4	2,13	0,040	T20C4800

*1) Measured in dm³/(s.bar)

*2) Measured in m³/h

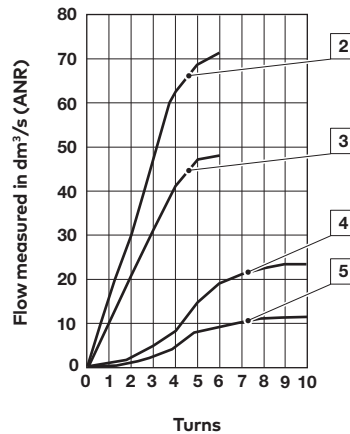
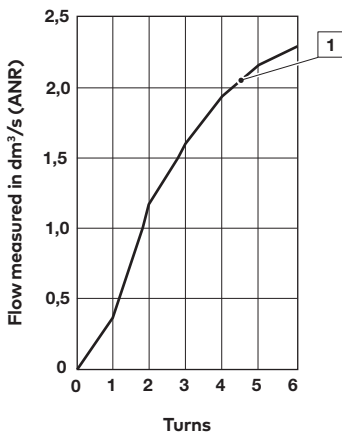
Options selector

T20★★★★00

Thread	Substitute
Metric, M5 only	M
ISO G	C

Port size	Substitute
M5	05
1/8"	18
1/4"	28
3/8"	38
1/2"	48

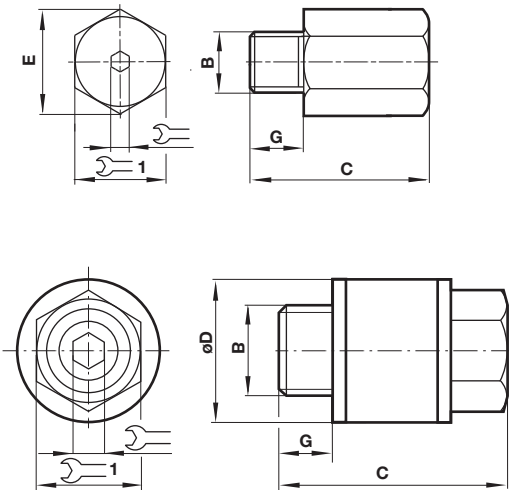
Performance characteristics for T20 Series (at 6 bar inlet pressure)



- 1 Port size M5
- 2 Port size 1/2"
- 3 Port size 3/8"
- 4 Port size 1/4"
- 5 Port size 1/8"

Dimensions

Dimensions in mm
Projection/First angle



B	G	C	E			Model
M5	5	16	9,5	1,5	8	T20M0500

B	C	ØD	G			Model
G1/8A	20,5	15	6	2,5	13	T20C1800
G1/4A	29	18	7	4	15	T20C2800
G3/8A	38	24	8	6	20	T20C3800
G1/2A	50	30	10	8	25	T20C4800

Warning

These products are intended for use in industrial compressed air systems only. Do not use these products where pressures and temperatures can exceed those listed under »**Technical features/ data**«.

Before using these products with fluids other than those specified, for non-industrial applications, life-support systems or other applications not within published specifications, consult Norgren Ltd.

Through misuse, age, or malfunction, components used in fluid power systems can fail in various modes.

The system designer is warned to consider the failure modes of all component parts used in fluid power systems and to provide adequate safeguards to prevent personal injury or damage to equipment in the event of such failure.

System designers must provide a warning to end users in the system instructional manual if protection against a failure mode cannot be adequately provided.

System designers and end users are cautioned to review specific warnings found in instruction sheets packed and shipped with these products.